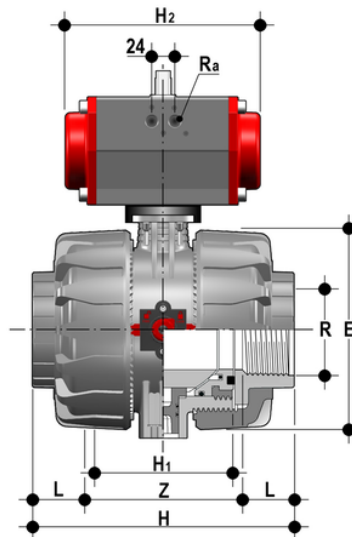


VKDGVC/CP NC – Pneumatisch betätigter 2-Wege DUAL BLOCK® Kugelhahn DN 65:100

DUAL BLOCK® Zwei-Wege-Kugelhahn mit Innengewinde, JIS-Gewinde mit pneumatischem Antrieb, Funktion normal geschlossen.



EPDM

Artikel	product.detail.attribute.[["R"
VKDGVC212E	2\1\2],[["DN","65],[["PN","10],[["E","164],[["H","235],[["H1","133],[["L","35],[["Z","165],[["H2","210],[["Ra","G1\4\"]]]
VKDGVC300E	3\1\2]
VKDGVC400E	4\1\2]

FKM

Artikel	product.detail.attribute.[["R"
VKDGVC212F	2\1\2],[["DN","65],[["PN","10],[["E","164],[["H","235],[["H1","133],[["L","35],[["Z","165],[["H2","210],[["Ra","G1\4\"]]]
VKDGVC300F	3\1\2]
VKDGVC400F	4\1\2]