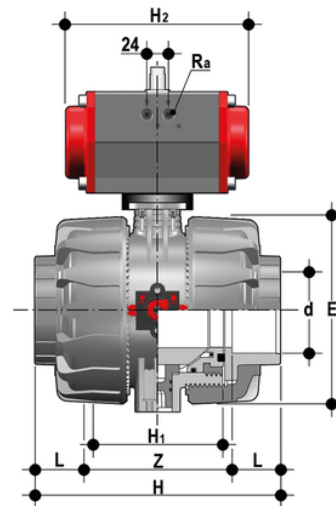
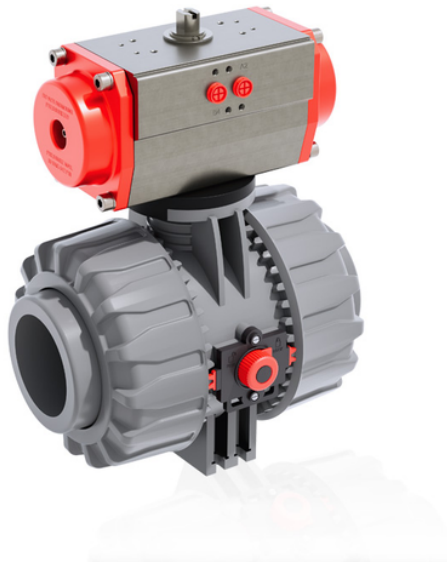


VKDAC/CP DA – Pneumatisch betätigter 2-Wege DUAL BLOCK® Kugelhahn DN 65:100

DUAL BLOCK® Zwei-Wege-Kugelhahn mit Innengewinde zum Kleben, Serie ASTM mit pneumatischem Antrieb, doppeltwirkend.



EPDM

Artikel	product.detail.attribute.[["d"]
VKDACDA212E	2\1/2",["DN","65"],["PN","10"],["E","164"],["H","235"],["H1","133"],["L","44.5"],["Z","146"],["H2","155"],["Ra","G1/4"]
VKDACDA300E	3\1/2"
VKDACDA400E	4\1/2"

FKM

Artikel	product.detail.attribute.[["d"]
VKDACDA212F	2\1/2",["DN","65"],["PN","10"],["E","164"],["H","235"],["H1","133"],["L","44.5"],["Z","146"],["H2","155"],["Ra","G1/4"]
VKDACDA300F	3\1/2"
VKDACDA400F	4\1/2"