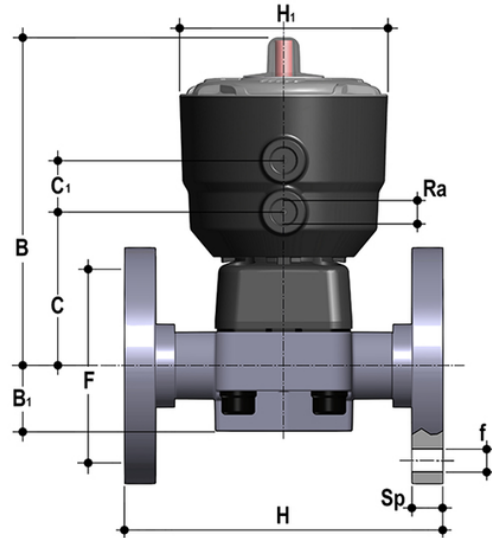


DKOAF/CP NC – Pneumatisch betätigtes Membranventil PN10 DN 15:65

Pneumatisch betätigtes Membranventil mit monolithischem Flanschgehäuse ANSI B16.5 cl. 150 #FF. Normalerweise geschlossene Funktion.



EPDM

Artikel	product.detail.attribute.[["d"
DKOAFNC012E	1\2\["]
DKOAFNC034E	3\4\["]
DKOAFNC100E	1\["]
DKOAFNC114E	1\ 1\4\["],["DN","32"],["PN","10"],["B","163"],["B[5:1]","30"],["C","82"],["C[5:1]","24"],["F","88,90"],["\u00d8f","15.7"],["H","162"],["H[5:1]","97"],["R[5:a]","1\4\[""]]
DKOAFNC112E	1\ 1\2\["],["DN","40"],["PN","10"],["B","207"],["B[5:1]","35"],["C","112"],["C[5:1]","24"],["F","98,40"],["\u00d8f","15.7"],["H","180"],["H[5:1]","126"],["R[5:a]","1\4\[""]]
DKOAFNC200E	2\["]
DKOAFNC212E	2\ 1\2\["],["DN","65"],["PN","10"],["B","245"],["B[5:1]","46"],["C","142"],["C[5:1]","24"],["F","139,70"],["\u00d8f","19"],["H","250"],["H[5:1]","157"],["R[5:a]","1\4\[""]]

FKM

Artikel	product.detail.attribute.[["d"
DKOAFNC012F	1\2\["]
DKOAFNC034F	3\4\["]
DKOAFNC100F	1\["]
DKOAFNC114F	1\ 1\4\["],["DN","32"],["PN","10"],["B","163"],["B[5:1]","30"],["C","82"],["C[5:1]","24"],["F","88,90"],["\u00d8f","15.7"],["H","162"],["H[5:1]","97"],["R[5:a]","1\4\[""]]

DKOAF/CP NC – Pneumatisch betätigtes Membranventil PN10 DN 15:65

Artikel	product.detail.attribute.[["d"
DKOAFNC112F	1\ 1\2",["DN","40"],["PN","10"],["B","207"],["B[5:1]","35"],["C","112"],["C[5:1]","24"],["F","98,40"],["\u00d8","15.7"],["H","180"],["H[5:1]","126"],["R[5:a]","1\4\"]
DKOAFNC200F	2\]
DKOAFNC212F	2\ 1\2",["DN","65"],["PN","10"],["B","245"],["B[5:1]","46"],["C","142"],["C[5:1]","24"],["F","139,70"],["\u00d8","19"],["H","250"],["H[5:1]","157"],["R[5:a]","1\4\"]

PTFE

Artikel	product.detail.attribute.[["d"
DKOAFNC012P	1\2\]
DKOAFNC034P	3\4\]
DKOAFNC100P	1\]
DKOAFNC114P	1\ 1\4",["DN","32"],["PN","10"],["B","163"],["B[5:1]","30"],["C","82"],["C[5:1]","24"],["F","88,90"],["\u00d8","15.7"],["H","162"],["H[5:1]","97"],["R[5:a]","1\4\"]
DKOAFNC112P	1\ 1\2",["DN","40"],["PN","10"],["B","207"],["B[5:1]","35"],["C","112"],["C[5:1]","24"],["F","98,40"],["\u00d8","15.7"],["H","180"],["H[5:1]","126"],["R[5:a]","1\4\"]
DKOAFNC200P	2\]
DKOAFNC212P	2\ 1\2",["DN","65"],["PN","10"],["B","245"],["B[5:1]","46"],["C","142"],["C[5:1]","24"],["F","139,70"],["\u00d8","19"],["H","250"],["H[5:1]","157"],["R[5:a]","1\4\"]