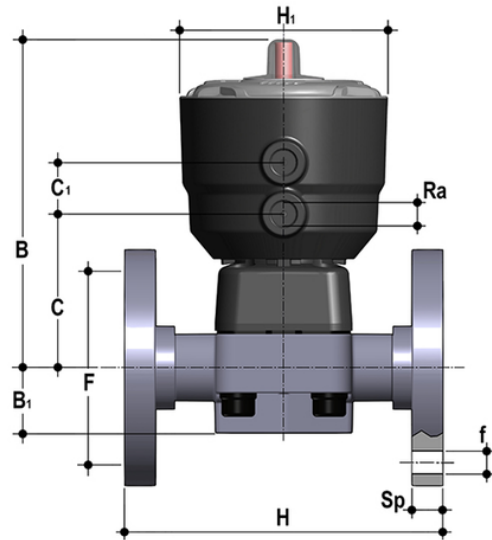


DKOAM/CP NC – Pneumatisch betätigtes Membranventil PN10 DN 15:65

Pneumatisch betätigtes Membranventil mit monolithischem Flanschgehäuse ANSI B16.5 cl. 150 #FF. Normalerweise geschlossene Funktion.



EPDM

Artikel	product.detail.attribute.[["d"
DKOAMNC012E	1\2\["]
DKOAMNC034E	3\4\["]
DKOAMNC100E	1\["]
DKOAMNC114E	1\ " 1\4\["],["DN", "32"],["PN", "10"],["B", "163"],["B[5:1]", "30"],["C", "82"],["C[5:1]", "24"],["F", "88,90"],["\u00d8", "15.7"],["H", "162"],["H[5:1]", "97"],["R[5:a]", "1\4\[""]
DKOAMNC112E	1\ " 1\2\["],["DN", "40"],["PN", "10"],["B", "207"],["B[5:1]", "35"],["C", "112"],["C[5:1]", "24"],["F", "98,40"],["\u00d8", "15.7"],["H", "180"],["H[5:1]", "126"],["R[5:a]", "1\4\[""]
DKOAMNC200E	2\["]
DKOAMNC212E	2\ " 1\2\["],["DN", "65"],["PN", "10"],["B", "245"],["B[5:1]", "46"],["C", "142"],["C[5:1]", "24"],["F", "139,70"],["\u00d8", "19"],["H", "250"],["H[5:1]", "157"],["R[5:a]", "1\4\[""]

FKM

Artikel	product.detail.attribute.[["d"
DKOAMNC012F	1\2\["]
DKOAMNC034F	3\4\["]
DKOAMNC100F	1\["]
DKOAMNC114F	1\ " 1\4\["],["DN", "32"],["PN", "10"],["B", "163"],["B[5:1]", "30"],["C", "82"],["C[5:1]", "24"],["F", "88,90"],["\u00d8", "15.7"],["H", "162"],["H[5:1]", "97"],["R[5:a]", "1\4\[""]

DKOAM/CP NC – Pneumatisch betätigtes Membranventil PN10 DN 15:65

Artikel	product.detail.attribute.[["d"
DKOAMNC112F	1\ 1/2",["DN","40"],["PN","10"],["B","207"],["B[5:1]","35"],["C","112"],["C[5:1]","24"],["F","98,40"],["\u00d8f","15.7"],["H","180"],["H[5:1]","126"],["R[5:d]","1/4\""]
DKOAMNC200F	2\]
DKOAMNC212F	2\ 1/2",["DN","65"],["PN","10"],["B","245"],["B[5:1]","46"],["C","142"],["C[5:1]","24"],["F","139,70"],["\u00d8f","19"],["H","250"],["H[5:1]","157"],["R[5:d]","1/4\""]

PTFE

Artikel	product.detail.attribute.[["d"
DKOAMNC012P	1\ 1/2\]
DKOAMNC034P	3\ 1/4\]
DKOAMNC100P	1\]
DKOAMNC114P	1\ 1/4",["DN","32"],["PN","10"],["B","163"],["B[5:1]","30"],["C","82"],["C[5:1]","24"],["F","88,90"],["\u00d8f","15.7"],["H","162"],["H[5:1]","97"],["R[5:d]","1/4\""]
DKOAMNC112P	1\ 1/2",["DN","40"],["PN","10"],["B","207"],["B[5:1]","35"],["C","112"],["C[5:1]","24"],["F","98,40"],["\u00d8f","15.7"],["H","180"],["H[5:1]","126"],["R[5:d]","1/4\""]
DKOAMNC200P	2\]
DKOAMNC212P	2\ 1/2",["DN","65"],["PN","10"],["B","245"],["B[5:1]","46"],["C","142"],["C[5:1]","24"],["F","139,70"],["\u00d8f","19"],["H","250"],["H[5:1]","157"],["R[5:d]","1/4\""]