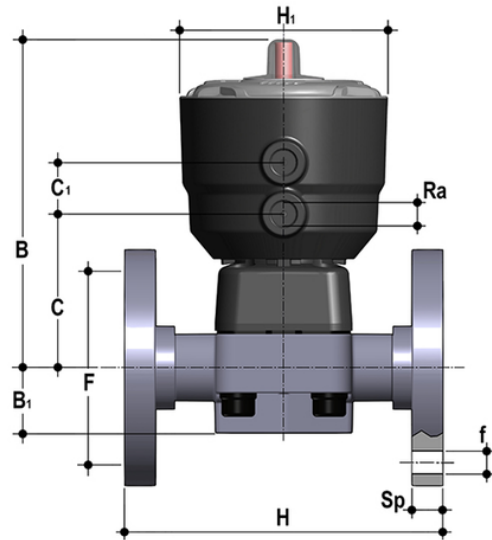


DKOAC/CP DA – Pneumatisch betätigtes Membranventil PN10 DN 15:65

Pneumatisch betätigtes Membranventil mit monolithischem Flanschgehäuse ANSI B16.5 cl. 150 #FF. Doppelt wirkende Funktion.



EPDM

Artikel	d
DKOACDA012E	1\2"
DKOACDA034E	3\4"
DKOACDA100E	1"
DKOACDA114E	1" 1\4",["DN","32"],["PN","10"],["B","163"],["B[5:1]","30"],["C","82"],["C[5:1]","24"],["F","88,90"],["\u00d8","15.7"],["H","162"],["H[5:1]","97"],["R[5:a]","1\4"]
DKOACDA112E	1" 1\2",["DN","40"],["PN","10"],["B","207"],["B[5:1]","35"],["C","112"],["C[5:1]","24"],["F","98,40"],["\u00d8","15.7"],["H","180"],["H[5:1]","126"],["R[5:a]","1\4"]
DKOACDA200E	2"
DKOACDA212E	2" 1\2",["DN","65"],["PN","10"],["B","245"],["B[5:1]","46"],["C","142"],["C[5:1]","24"],["F","139,70"],["\u00d8","19"],["H","250"],["H[5:1]","157"],["R[5:a]","1\4"]

FKM

Artikel
DKOACDA012F
DKOACDA034F
DKOACDA100F
DKOACDA114F
DKOACDA112F

DKOAC/CP DA – Pneumatisch betätigtes Membranventil PN10 DN 15:65

Artikel

DKOACDA200F

DKOACDA212F

PTFE

Artikel	d
DKOACDA012P	1\2"
DKOACDA034P	3\4"
DKOACDA100P	1"
DKOACDA114P	1" 1\4", ["DN", "32"], ["PN", "10"], ["B", "163"], ["B[5:1]", "30"], ["C", "82"], ["C[5:1]", "24"], ["F", "88,90"], ["\u00d8f", "15.7"], ["H", "162"], ["H[5:1]", "97"], ["R[5:a]", "1\4\""]
DKOACDA112P	1" 1\2", ["DN", "40"], ["PN", "10"], ["B", "207"], ["B[5:1]", "35"], ["C", "112"], ["C[5:1]", "24"], ["F", "98,40"], ["\u00d8f", "15.7"], ["H", "180"], ["H[5:1]", "126"], ["R[5:a]", "1\4\""]
DKOACDA200P	2"
DKOACDA212P	2" 1\2", ["DN", "65"], ["PN", "10"], ["B", "245"], ["B[5:1]", "46"], ["C", "142"], ["C[5:1]", "24"], ["F", "139,70"], ["\u00d8f", "19"], ["H", "250"], ["H[5:1]", "157"], ["R[5:a]", "1\4\""]