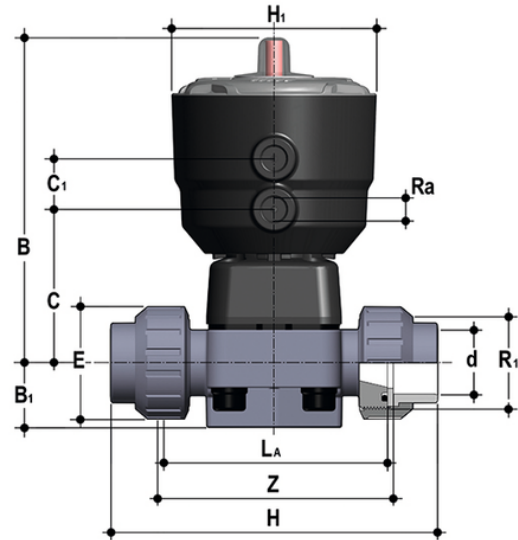


# DKUAV/CP NC – Pneumatisch betätigtes Membranventil PN10 DN 15:65

Pneumatisch betätigtes Membranventil mit Anschlüssen mit Innengewinde zum Verkleben, Serie ASTM. Funktion normal geschlossen.



## EPDM

Artikel	product.detail.attribute.[["R"
DKUAVNC012E	1\2"
DKUAVNC034E	3\4"
DKUAVNC100E	1"
DKUAVNC114E	1\1\4",["DN","32"],["PN","10"],["B","163"],["B[5:1]","30"],["C","82"],["C[5:1]","24"],["E","72"],["H","208"],["H[5:1]","97"],["L[5:a]","134"],["R[5:1]","2\''"]
DKUAVNC112E	1\1\2",["DN","40"],["PN","10"],["B","207"],["B[5:1]","35"],["C","112"],["C[5:1]","24"],["E","79"],["H","234"],["H[5:1]","126"],["L[5:a]","154"],["R[5:1]","2\1\2''"]
DKUAVNC200E	2"

## FKM

Artikel	product.detail.attribute.[["R"
DKUAVNC012F	1\2"
DKUAVNC034F	3\4"
DKUAVNC100F	1"
DKUAVNC114F	1\1\4",["DN","32"],["PN","10"],["B","163"],["B[5:1]","30"],["C","82"],["C[5:1]","24"],["E","72"],["H","208"],["H[5:1]","97"],["L[5:a]","134"],["R[5:1]","2\''"]
DKUAVNC112F	1\1\2",["DN","40"],["PN","10"],["B","207"],["B[5:1]","35"],["C","112"],["C[5:1]","24"],["E","79"],["H","234"],["H[5:1]","126"],["L[5:a]","154"],["R[5:1]","2\1\2''"]
DKUAVNC200F	2"

# DKUAV/CP NC – Pneumatisch betätigtes Membranventil PN10 DN 15:65

## PTFE

Artikel	product.detail.attribute.[["R"
DKUAVNC012P	1\2\]
DKUAVNC034P	3\4\]
DKUAVNC100P	1\]
DKUAVNC114P	1\1\4\],["DN","32"],["PN","10"],["B","163"],["B[5:1]","30"],["C","82"],["C[5:1]","24"],["E","72"],["H","208"],["H[5:1]","97"],["L[5:α]","134"],["R[5:1]","2\]
DKUAVNC112P	1\1\2\],["DN","40"],["PN","10"],["B","207"],["B[5:1]","35"],["C","112"],["C[5:1]","24"],["E","79"],["H","234"],["H[5:1]","126"],["L[5:α]","154"],["R[5:1]","2\1\2\]
DKUAVNC200P	2\]