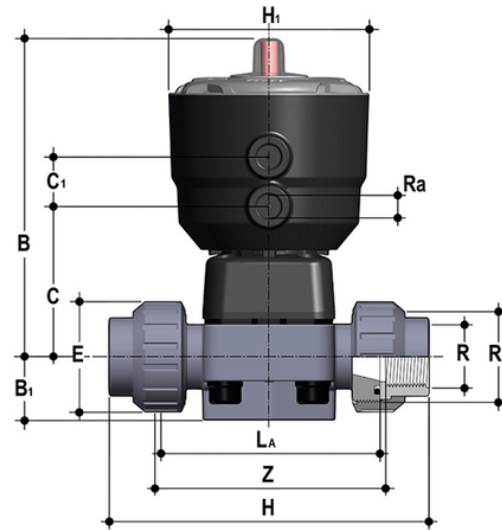


DKUFC/CP NC – Pneumatisch betätigtes Membranventil PN10 DN 15:65

Pneumatisch betätigtes Membranventil mit Nippelanschlüssen, zylindrisches Gasgewinde. Funktion normal geschlossen.



EPDM

Artikel	product.detail.attribute.[["R"
DKUFCNC012E	1\2\["]
DKUFCNC034E	3\4\["]
DKUFCNC100E	1\["]
DKUFCNC114E	1\1\4\["DN", "32"], ["PN", "10"], ["B", "163"], ["B[5:1]", "30"], ["C", "82"], ["C[5:1]", "24"], ["E", "72"], ["H", "188"], ["H[5:1]", "97"], ["L[5:a]", "134"], ["R[5:1]", "2\[""]
DKUFCNC112E	1\1\2\["DN", "40"], ["PN", "10"], ["B", "207"], ["B[5:1]", "35"], ["C", "112"], ["C[5:1]", "24"], ["E", "79"], ["H", "208"], ["H[5:1]", "126"], ["L[5:a]", "154"], ["R[5:1]", "2\1\2\[""]
DKUFCNC200E	2\["]

FKM

Artikel	product.detail.attribute.[["R"
DKUFCNC012F	1\2\["]
DKUFCNC034F	3\4\["]
DKUFCNC100F	1\["]
DKUFCNC114F	1\1\4\["DN", "32"], ["PN", "10"], ["B", "163"], ["B[5:1]", "30"], ["C", "82"], ["C[5:1]", "24"], ["E", "72"], ["H", "188"], ["H[5:1]", "97"], ["L[5:a]", "134"], ["R[5:1]", "2\[""]
DKUFCNC112F	1\1\2\["DN", "40"], ["PN", "10"], ["B", "207"], ["B[5:1]", "35"], ["C", "112"], ["C[5:1]", "24"], ["E", "79"], ["H", "208"], ["H[5:1]", "126"], ["L[5:a]", "154"], ["R[5:1]", "2\1\2\[""]
DKUFCNC200F	2\["]

DKUFC/CP NC – Pneumatisch betätigtes Membranventil PN10 DN 15:65

PTFE

Artikel	product.detail.attribute.[["R"
DKUFCNC012P	1\2\"]
DKUFCNC034P	3\4\"]
DKUFCNC100P	1\"]
DKUFCNC114P	1\1\4],[["DN","32"],["PN","10"],["B","163"],["B[5:1]","30"],["C","82"],["C[5:1]","24"],["E","72"],["H","188"],["H[5:1]","97"],["L[5:a]","134"],["R[5:1]","2\"]
DKUFCNC112P	1\1\2],[["DN","40"],["PN","10"],["B","207"],["B[5:1]","35"],["C","112"],["C[5:1]","24"],["E","79"],["H","208"],["H[5:1]","126"],["L[5:a]","154"],["R[5:1]","2\1\2"]
DKUFCNC200P	2\"]