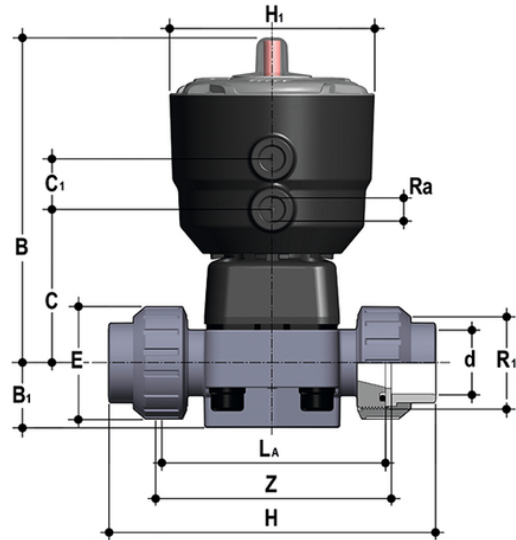


DKUAV/CP NO – Pneumatisch betätigtes Membranventil PN10 DN 15:65

Pneumatisch betätigtes Membranventil mit Anschlüssen mit Innengewinde zum Verkleben, Serie ASTM. Normalerweise offene Funktion.



EPDM

Artikel	product.detail.attribute.[["R"
DKUAVNO012E	1\2"
DKUAVNO034E	3\4"
DKUAVNO100E	1"
DKUAVNO114E	1\1\4",["DN","32"],["PN","10"],["B","163"],["B[5:1]","30"],["C","82"],["C[5:1]","24"],["E","72"],["H","208"],["H[5:1]","97"],["L[5:α]","134"],["R[5:1]","2\''"]
DKUAVNO112E	1\1\2",["DN","40"],["PN","10"],["B","207"],["B[5:1]","35"],["C","112"],["C[5:1]","24"],["E","79"],["H","234"],["H[5:1]","126"],["L[5:α]","154"],["R[5:1]","2\1\2''"]
DKUAVNO200E	2"

FKM

Artikel	product.detail.attribute.[["R"
DKUAVNO012F	1\2"
DKUAVNO034F	3\4"
DKUAVNO100F	1"
DKUAVNO114F	1\1\4",["DN","32"],["PN","10"],["B","163"],["B[5:1]","30"],["C","82"],["C[5:1]","24"],["E","72"],["H","208"],["H[5:1]","97"],["L[5:α]","134"],["R[5:1]","2\''"]
DKUAVNO112F	1\1\2",["DN","40"],["PN","10"],["B","207"],["B[5:1]","35"],["C","112"],["C[5:1]","24"],["E","79"],["H","234"],["H[5:1]","126"],["L[5:α]","154"],["R[5:1]","2\1\2''"]
DKUAVNO200F	2"

DKUAV/CP NO – Pneumatisch betätigtes Membranventil PN10 DN 15:65

PTFE

Artikel	product.detail.attribute.[["R"
DKUAVNO012P	1\2\"]
DKUAVNO034P	3\4\"]
DKUAVNO100P	1\"]
DKUAVNO114P	1\1\4\],[["DN","32"],["PN","10"],["B","163"],["B[5:1]","30"],["C","82"],["C[5:1]","24"],["E","72"],["H","208"],["H[5:1]","97"],["L[5:α]","134"],["R[5:1]","2\"]
DKUAVNO112P	1\1\2\],[["DN","40"],["PN","10"],["B","207"],["B[5:1]","35"],["C","112"],["C[5:1]","24"],["E","79"],["H","234"],["H[5:1]","126"],["L[5:α]","154"],["R[5:1]","2\1\2\"]
DKUAVNO200P	2\"]