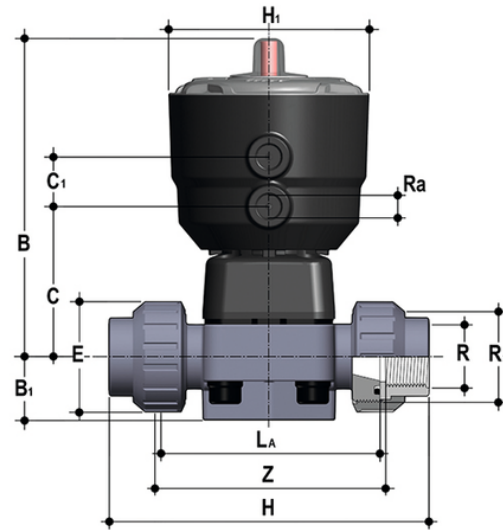


# DKUFC/CP NO – Pneumatisch betätigtes Membranventil PN10 DN 15:65

Pneumatisch betätigtes Membranventil mit Nippelanschlüssen, zylindrisches Gasgewinde. Normalerweise offene Funktion.



## EPDM

Artikel	product.detail.attribute.[["R"
DKUFCNO012E	1\2\["]
DKUFCNO034E	3\4\["]
DKUFCNO100E	1\["]
DKUFCNO114E	1\1\4\["],[["DN","32"],["PN","10"],["B","163"],["B[5:1]","30"],["C","82"],["C[5:1]","24"],["E","72"],["H","188"],["H[5:1]","97"],["L[5:a]","134"],["R[5:1]","2\[""]]
DKUFCNO112E	1\1\2\["],[["DN","40"],["PN","10"],["B","207"],["B[5:1]","35"],["C","112"],["C[5:1]","24"],["E","79"],["H","208"],["H[5:1]","126"],["L[5:a]","154"],["R[5:1]","2\1\2\[""]]
DKUFCNO200E	2\["]

## FKM

Artikel	product.detail.attribute.[["R"
DKUFCNO012F	1\2\["]
DKUFCNO034F	3\4\["]
DKUFCNO100F	1\["]
DKUFCNO114F	1\1\4\["],[["DN","32"],["PN","10"],["B","163"],["B[5:1]","30"],["C","82"],["C[5:1]","24"],["E","72"],["H","188"],["H[5:1]","97"],["L[5:a]","134"],["R[5:1]","2\[""]]
DKUFCNO112F	1\1\2\["],[["DN","40"],["PN","10"],["B","207"],["B[5:1]","35"],["C","112"],["C[5:1]","24"],["E","79"],["H","208"],["H[5:1]","126"],["L[5:a]","154"],["R[5:1]","2\1\2\[""]]
DKUFCNO200F	2\["]

# DKUFC/CP NO – Pneumatisch betätigtes Membranventil PN10 DN 15:65

## PTFE

Artikel	product.detail.attribute.[["R"
DKUFCNO012P	1\2\"]
DKUFCNO034P	3\4\"]
DKUFCNO100P	1\"]
DKUFCNO114P	1\1\4],[["DN","32"],["PN","10"],["B","163"],["B[5:1]","30"],["C","82"],["C[5:1]","24"],["E","72"],["H","188"],["H[5:1]","97"],["L[5:a]","134"],["R[5:1]","2\"]
DKUFCNO112P	1\1\2],[["DN","40"],["PN","10"],["B","207"],["B[5:1]","35"],["C","112"],["C[5:1]","24"],["E","79"],["H","208"],["H[5:1]","126"],["L[5:a]","154"],["R[5:1]","2\1\2"]
DKUFCNO200P	2\"]