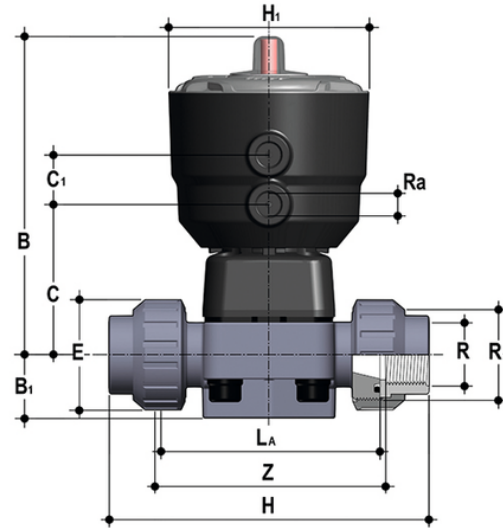


# DKUFC/CP DA – Pneumatisch betätigtes Membranventil PN10 DN 15:65

Pneumatisch betätigtes Membranventil mit Nippelanschlüssen, zylindrisches Gasgewinde. Doppeltwirkende Funktion.



## EPDM

Artikel	product.detail.attribute.[["R"
DKUFDA012E	1\2"
DKUFDA034E	3\4"
DKUFDA100E	1"
DKUFDA114E	1\1\4",["DN","32"],["PN","10"],["B","163"],["B[5:1]","30"],["C","82"],["C[5:1]","24"],["E","72"],["H","188"],["H[5:1]","97"],["L[5:a]","134"],["R[5:1]","2\1\2"]
DKUFDA112E	1\1\2",["DN","40"],["PN","10"],["B","207"],["B[5:1]","35"],["C","112"],["C[5:1]","24"],["E","79"],["H","208"],["H[5:1]","126"],["L[5:a]","154"],["R[5:1]","2\1\2"]
DKUFDA200E	2"

## FKM

Artikel	product.detail.attribute.[["R"
DKUFDA012F	1\2"
DKUFDA034F	3\4"
DKUFDA100F	1"
DKUFDA114F	1\1\4",["DN","32"],["PN","10"],["B","163"],["B[5:1]","30"],["C","82"],["C[5:1]","24"],["E","72"],["H","188"],["H[5:1]","97"],["L[5:a]","134"],["R[5:1]","2\1\2"]
DKUFDA112F	1\1\2",["DN","40"],["PN","10"],["B","207"],["B[5:1]","35"],["C","112"],["C[5:1]","24"],["E","79"],["H","208"],["H[5:1]","126"],["L[5:a]","154"],["R[5:1]","2\1\2"]
DKUFDA200F	2"

# DKUFC/CP DA – Pneumatisch betätigtes Membranventil PN10 DN 15:65

## PTFE

Artikel	product.detail.attribute.[["R"
DKUFCDA012P	1\2\
DKUFCDA034P	3\4\
DKUFCDA100P	1\
DKUFCDA114P	1\1\4\,["DN","32"],["PN","10"],["B","163"],["B[5:1]","30"],["C","82"],["C[5:1]","24"],["E","72"],["H","188"],["H[5:1]","97"],["L[5:a]","134"],["R[5:1]","2\"]
DKUFCDA112P	1\1\2\,["DN","40"],["PN","10"],["B","207"],["B[5:1]","35"],["C","112"],["C[5:1]","24"],["E","79"],["H","208"],["H[5:1]","126"],["L[5:a]","154"],["R[5:1]","2\1\2\"]
DKUFCDA200P	2\