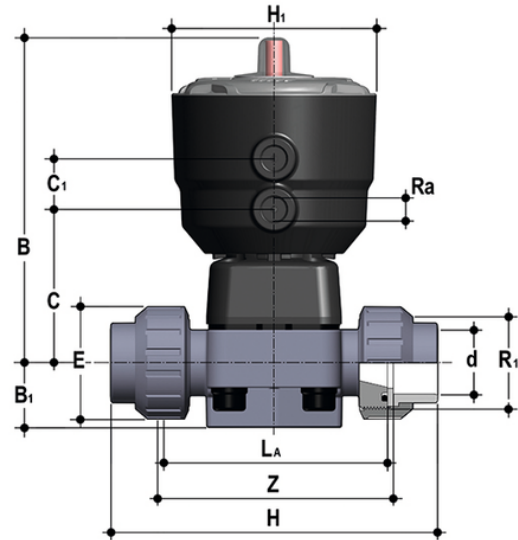


DKULV/CP NC – Pneumatisch betätigtes Membranventil PN10 DN 15:65

Pneumatisch betätigtes Membranventil mit Überwurfverschraubungen zum Verkleben, Serie BS. Funktion normal geschlossen.



EPDM

Artikel	product.detail.attribute.[["d"]
DKULVNC012E	1\2\[""]
DKULVNC034E	3\4\[""]
DKULVNC100E	1\[""]
DKULVNC114E	1\1\4\[""],["DN","32"],["PN","10"],["B","163"],["B[5:1]","30"],["C","82"],["C[5:1]","24"],["E","72"],["H","194"],["H[5:1]","97"],["L[5:a]","134"],["R[5:1]","2\[""]]
DKULVNC112E	1\1\2\[""],["DN","40"],["PN","10"],["B","207"],["B[5:1]","35"],["C","112"],["C[5:1]","24"],["E","79"],["H","222"],["H[5:1]","126"],["L[5:a]","154"],["R[5:1]","2\1\4\[""]]
DKULVNC200E	2\[""]

FKM

Artikel	product.detail.attribute.[["d"]
DKULVNC012F	1\2\[""]
DKULVNC034F	3\4\[""]
DKULVNC100F	1\[""]
DKULVNC114F	1\1\4\[""],["DN","32"],["PN","10"],["B","163"],["B[5:1]","30"],["C","82"],["C[5:1]","24"],["E","72"],["H","194"],["H[5:1]","97"],["L[5:a]","134"],["R[5:1]","2\[""]]
DKULVNC112F	1\1\2\[""],["DN","40"],["PN","10"],["B","207"],["B[5:1]","35"],["C","112"],["C[5:1]","24"],["E","79"],["H","222"],["H[5:1]","126"],["L[5:a]","154"],["R[5:1]","2\1\4\[""]]
DKULVNC200F	2\[""]

DKULV/CP NC – Pneumatisch betätigtes Membranventil PN10 DN 15:65

PTFE

Artikel	product.detail.attribute.[["d"
DKULVNC012P	1\2\["]
DKULVNC034P	3\4\["]
DKULVNC100P	1\["]
DKULVNC114P	1\1\4\["DN","32"],["PN","10"],["B","163"],["B[5:1]","30"],["C","82"],["C[5:1]","24"],["E","72"],["H","194"],["H[5:1]","97"],["L[5:a]","134"],["R[5:1]","2\[""]]
DKULVNC112P	1\1\2\["DN","40"],["PN","10"],["B","207"],["B[5:1]","35"],["C","112"],["C[5:1]","24"],["E","79"],["H","222"],["H[5:1]","126"],["L[5:a]","154"],["R[5:1]","2\1\4\[""]]
DKULVNC200P	2\["]