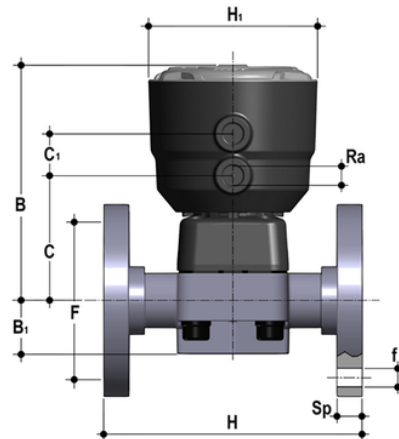


DKBOAM/CP NC – Pneumatisch betätigtes 2-Wege- Membranventil PN6 DN 15:65

Pneumatisch betätigtes Membranventil mit monolithischem Flanschgehäuse, ANSI B16.5 cl. 150 #FF. Funktion normal geschlossen.



Artikel	product.detail.attribute.[["d"]
DKBOAMNC012E	1\2\[""]
DKBOAMNC034E	3\4\[""]
DKBOAMNC100E	1\[""]
DKBOAMNC112E	1" 1\2\[""], ["DN", "40"], ["PN", "6"], ["B", "193"], ["B[5:1]", "35"], ["C", "112"], ["C[5:1]", "24"], ["F", "98,40"], ["f", "15,7"], ["H", "180"], ["H[5:1]", "126"], ["Ra", "1\4\[""]]
DKBOAMNC114E	1" 1\4\[""], ["DN", "32"], ["PN", "6"], ["B", "149"], ["B[5:1]", "30"], ["C", "82"], ["C[5:1]", "24"], ["F", "88,90"], ["f", "15,7"], ["H", "162"], ["H[5:1]", "97"], ["Ra", "1\4\[""]]
DKBOAMNC200E	2\[""]
DKBOAMNC212E	2" 1\2\[""], ["DN", "65"], ["PN", "6"], ["B", "231"], ["B[5:1]", "46"], ["C", "142"], ["C[5:1]", "24"], ["F", "139,70"], ["f", "19"], ["H", "250"], ["H[5:1]", "157"], ["Ra", "1\4\[""]]