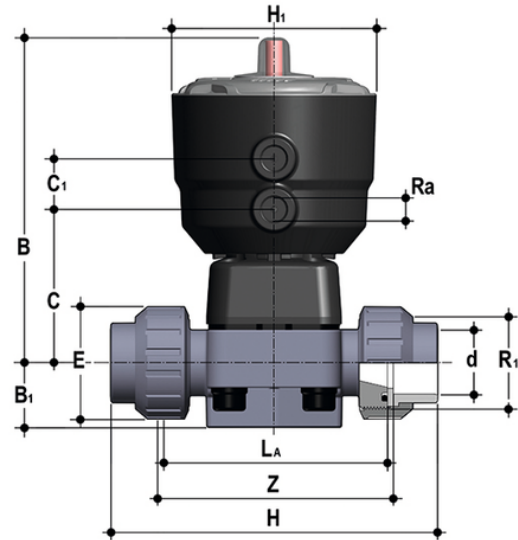


# DKULV/CP NO – Pneumatisch betätigtes Membranventil PN10 DN 15:65

Pneumatisch betätigtes Membranventil mit Überwurfverschraubungen zum Verkleben, Serie BS. Funktion normalerweise offen.



## EPDM

Artikel	product.detail.attribute.[["d"
DKULVNO012E	1\1/2"
DKULVNO034E	3\4"
DKULVNO100E	1"
DKULVNO114E	1\1/4",["DN","32"],["PN","10"],["B","163"],["B[5:1]","30"],["C","82"],["C[5:1]","24"],["E","72"],["H","194"],["H[5:1]","97"],["L[5:a]","134"],["R[5:1]","2\1/4"]
DKULVNO112E	1\1/2",["DN","40"],["PN","10"],["B","207"],["B[5:1]","35"],["C","112"],["C[5:1]","24"],["E","79"],["H","222"],["H[5:1]","126"],["L[5:a]","154"],["R[5:1]","2\1/4"]
DKULVNO200E	2"

## FKM

Artikel	product.detail.attribute.[["d"
DKULVNO012F	1\1/2"
DKULVNO034F	3\4"
DKULVNO100F	1"
DKULVNO114F	1\1/4",["DN","32"],["PN","10"],["B","163"],["B[5:1]","30"],["C","82"],["C[5:1]","24"],["E","72"],["H","194"],["H[5:1]","97"],["L[5:a]","134"],["R[5:1]","2\1/4"]
DKULVNO112F	1\1/2",["DN","40"],["PN","10"],["B","207"],["B[5:1]","35"],["C","112"],["C[5:1]","24"],["E","79"],["H","222"],["H[5:1]","126"],["L[5:a]","154"],["R[5:1]","2\1/4"]
DKULVNO200F	2"

# DKULV/CP NO – Pneumatisch betätigtes Membranventil PN10 DN 15:65

## PTFE

Artikel	product.detail.attribute.[["d"
DKULVNO012P	1\2\
DKULVNO034P	3\4\
DKULVNO100P	1\
DKULVNO114P	1\1\4\["DN","32"],["PN","10"],["B","163"],["B[5:1]","30"],["C","82"],["C[5:1]","24"],["E","72"],["H","194"],["H[5:1]","97"],["L[5:d]","134"],["R[5:1]","2\
DKULVNO112P	1\1\2\["DN","40"],["PN","10"],["B","207"],["B[5:1]","35"],["C","112"],["C[5:1]","24"],["E","79"],["H","222"],["H[5:1]","126"],["L[5:d]","154"],["R[5:1]","2\1\4\
DKULVNO200P	2\