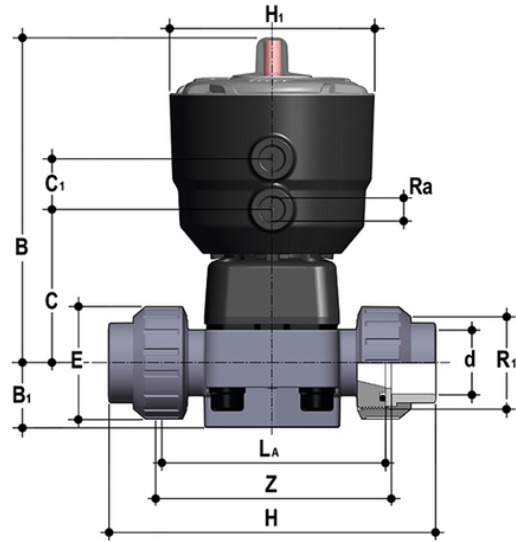


DKUAC/CP NO – Pneumatisch betätigtes Membranventil PN10 DN 15:65

Pneumatisch betätigtes Membranventil mit Anschlüssen mit Innengewinde zum Verkleben, Serie ASTM. Normalerweise offene Funktion.



EPDM

Artikel	product.detail.attribute.[["R"
DKUACNO012E	1\2\["]
DKUACNO034E	3\4\["]
DKUACNO100E	1\["]
DKUACNO114E	1\1\4\["DN","32"],["PN","10"],["B","163"],["B[5:1]","30"],["C","82"],["C[5:1]","24"],["E","72"],["H","208"],["H[5:1]","97"],["L[5:a]","134"],["R[5:1]","2\[""]]
DKUACNO112E	1\1\2\["DN","40"],["PN","10"],["B","207"],["B[5:1]","35"],["C","112"],["C[5:1]","24"],["E","79"],["H","234"],["H[5:1]","126"],["L[5:a]","154"],["R[5:1]","2\1\2\[""]]
DKUACNO200E	2\["]

FKM

Artikel	product.detail.attribute.[["R"
DKUACNO012F	1\2\["]
DKUACNO034F	3\4\["]
DKUACNO100F	1\["]
DKUACNO114F	1\1\4\["DN","32"],["PN","10"],["B","163"],["B[5:1]","30"],["C","82"],["C[5:1]","24"],["E","72"],["H","208"],["H[5:1]","97"],["L[5:a]","134"],["R[5:1]","2\[""]]
DKUACNO112F	1\1\2\["DN","40"],["PN","10"],["B","207"],["B[5:1]","35"],["C","112"],["C[5:1]","24"],["E","79"],["H","234"],["H[5:1]","126"],["L[5:a]","154"],["R[5:1]","2\1\2\[""]]
DKUACNO200F	2\["]

DKUAC/CP NO – Pneumatisch betätigtes Membranventil PN10 DN 15:65

PTFE

Artikel	product.detail.attribute.[["R"
DKUACNO012P	1\2\"]
DKUACNO034P	3\4\"]
DKUACNO100P	1\"]
DKUACNO114P	1\1\4\],[["DN","32"],["PN","10"],["B","163"],["B[5:1]","30"],["C","82"],["C[5:1]","24"],["E","72"],["H","208"],["H[5:1]","97"],["L[5:a]","134"],["R[5:1]","2\"]]
DKUACNO112P	1\1\2\],[["DN","40"],["PN","10"],["B","207"],["B[5:1]","35"],["C","112"],["C[5:1]","24"],["E","79"],["H","234"],["H[5:1]","126"],["L[5:a]","154"],["R[5:1]","2\1\2\"]]
DKUACNO200P	2\"]