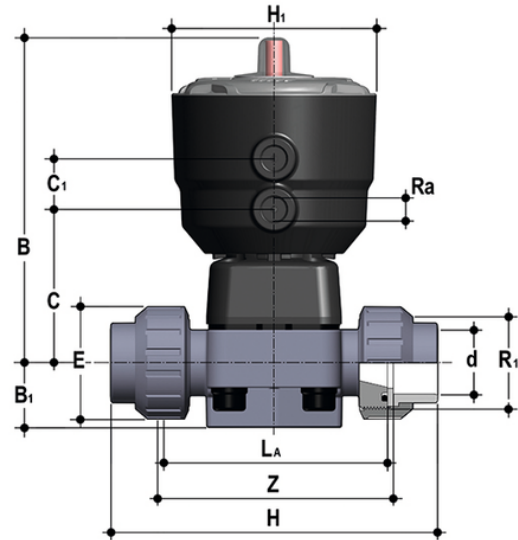


DKULV/CP DA – Pneumatisch betätigtes Membranventil PN10 DN 15:65

Pneumatisch betätigtes Membranventil mit Überwurfverschraubungen zum Verkleben, Serie BS. Doppeltwirkende Funktion.



EPDM

Artikel	product.detail.attribute.[["d"]
DKULVDA012E	1\2\[""]
DKULVDA034E	3\4\[""]
DKULVDA100E	1\[""]
DKULVDA114E	1\1\2\[""],["DN","32"],["PN","10"],["B","163"],["B[5:1]","30"],["C","82"],["C[5:1]","24"],["E","72"],["H","194"],["H[5:1]","97"],["L[5:a]","134"],["R[5:1]","2\[""]"]
DKULVDA112E	1\1\2\[""],["DN","40"],["PN","10"],["B","207"],["B[5:1]","35"],["C","112"],["C[5:1]","24"],["E","79"],["H","222"],["H[5:1]","126"],["L[5:a]","154"],["R[5:1]","2\1\2\[""]"]
DKULVDA200E	2\[""]

FKM

Artikel	product.detail.attribute.[["d"]
DKULVDA012F	1\2\[""]
DKULVDA034F	3\4\[""]
DKULVDA100F	1\[""]
DKULVDA114F	1\1\2\[""],["DN","32"],["PN","10"],["B","163"],["B[5:1]","30"],["C","82"],["C[5:1]","24"],["E","72"],["H","194"],["H[5:1]","97"],["L[5:a]","134"],["R[5:1]","2\[""]"]
DKULVDA112F	1\1\2\[""],["DN","40"],["PN","10"],["B","207"],["B[5:1]","35"],["C","112"],["C[5:1]","24"],["E","79"],["H","222"],["H[5:1]","126"],["L[5:a]","154"],["R[5:1]","2\1\2\[""]"]
DKULVDA200F	2\[""]

DKULV/CP DA – Pneumatisch betätigtes Membranventil PN10 DN 15:65

PTFE

Artikel	product.detail.attribute.[["d"
DKULVDA012P	1\2\["]
DKULVDA034P	3\4\["]
DKULVDA100P	1\["]
DKULVDA114P	1\1\4\["DN","32"],["PN","10"],["B","163"],["B[5:1]","30"],["C","82"],["C[5:1]","24"],["E","72"],["H","194"],["H[5:1]","97"],["L[5:a]","134"],["R[5:1]","2\[""]]
DKULVDA112P	1\1\2\["DN","40"],["PN","10"],["B","207"],["B[5:1]","35"],["C","112"],["C[5:1]","24"],["E","79"],["H","222"],["H[5:1]","126"],["L[5:a]","154"],["R[5:1]","2\1\4\[""]]
DKULVDA200P	2\["]