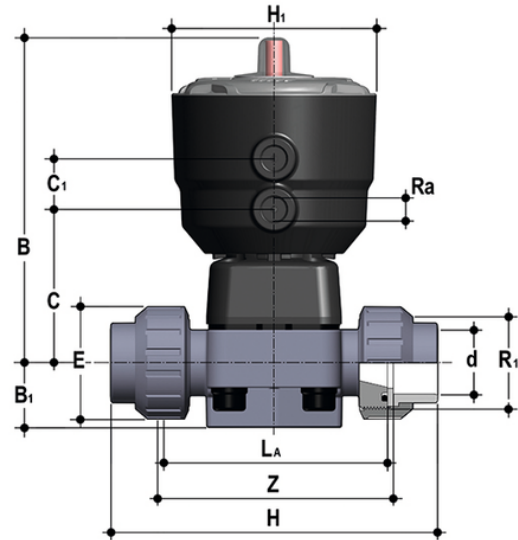


DKUAC/CP DA – Pneumatisch betätigtes Membranventil PN10 DN 15:65

Pneumatisch betätigtes Membranventil mit Anschlüssen mit Innengewinde zum Verkleben, Serie ASTM. Doppeltwirkende Funktion.



EPDM

Artikel	product.detail.attribute.[["R"
DKUACDA012E	1\2\["]
DKUACDA034E	3\4\["]
DKUACDA100E	1\["]
DKUACDA114E	1\["1\4\["],["DN","32"],["PN","10"],["B","163"],["B[5:1]","30"],["C","82"],["C[5:1]","24"],["E","72"],["H","208"],["H[5:1]","97"],["L[5:α]","134"],["R[5:1]","2\[""]]
DKUACDA112E	1\["1\2\["],["DN","40"],["PN","10"],["B","207"],["B[5:1]","35"],["C","112"],["C[5:1]","24"],["E","79"],["H","234"],["H[5:1]","126"],["L[5:α]","154"],["R[5:1]","2\["1\2\[""]]
DKUACDA200E	2\["]

FKM

Artikel
DKUACDA012F
DKUACDA034F
DKUACDA100F
DKUACDA114F
DKUACDA112F
DKUACDA200F

DKUAC/CP DA – Pneumatisch betätigtes Membranventil PN10 DN 15:65

PTFE

Artikel	product.detail.attribute.[["R"
DKUACDA012P	1\2\"]
DKUACDA034P	3\4\"]
DKUACDA100P	1\"]
DKUACDA114P	1\1\4\],[["DN","32"],["PN","10"],["B","163"],["B[5:1]","30"],["C","82"],["C[5:1]","24"],["E","72"],["H","208"],["H[5:1]","97"],["L[5:α]","134"],["R[5:1]","2\"]
DKUACDA112P	1\1\2\],[["DN","40"],["PN","10"],["B","207"],["B[5:1]","35"],["C","112"],["C[5:1]","24"],["E","79"],["H","234"],["H[5:1]","126"],["L[5:α]","154"],["R[5:1]","2\1\2\"]
DKUACDA200P	2\"]