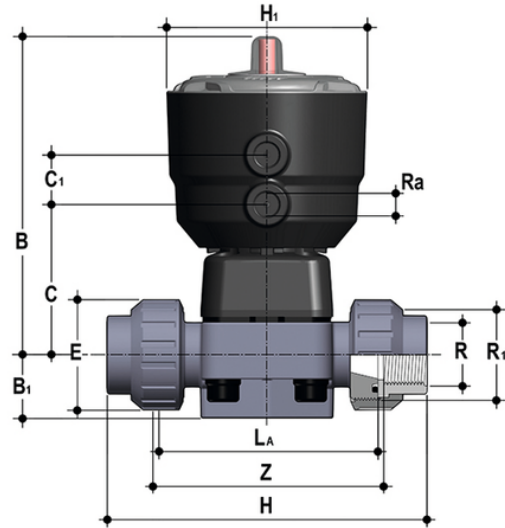


DKUFV/CP NC – Pneumatisch betätigtes Membranventil PN10 DN 15:65

Pneumatisch betätigtes Membranventil mit Nippelanschlüssen, zylindrisches Gasgewinde. Funktion normal geschlossen.



EPDM

Artikel	product.detail.attribute.[["R"
DKUFVNC200E	2\["]
DKUFVNC012E	1\["/2\["]
DKUFVNC034E	3\["/4\["]
DKUFVNC100E	1\["]
DKUFVNC114E	1\["1\["/4\["],["DN", "32"],["PN", "10"],["B", "163"],["B[5:1]", "30"],["C", "82"],["C[5:1]", "24"],["E", "72"],["H", "188"],["H[5:1]", "97"],["L[5:a]", "134"],["R[5:1]", "2\[""]]
DKUFVNC112E	1\["1\["/2\["],["DN", "40"],["PN", "10"],["B", "207"],["B[5:1]", "35"],["C", "112"],["C[5:1]", "24"],["E", "79"],["H", "208"],["H[5:1]", "126"],["L[5:a]", "154"],["R[5:1]", "2\["1\["/2\[""]]

FKM

Artikel	product.detail.attribute.[["R"
DKUFVNC012F	1\["/2\["]
DKUFVNC034F	3\["/4\["]
DKUFVNC100F	1\["]
DKUFVNC114F	1\["1\["/4\["],["DN", "32"],["PN", "10"],["B", "163"],["B[5:1]", "30"],["C", "82"],["C[5:1]", "24"],["E", "72"],["H", "188"],["H[5:1]", "97"],["L[5:a]", "134"],["R[5:1]", "2\[""]]
DKUFVNC112F	1\["1\["/2\["],["DN", "40"],["PN", "10"],["B", "207"],["B[5:1]", "35"],["C", "112"],["C[5:1]", "24"],["E", "79"],["H", "208"],["H[5:1]", "126"],["L[5:a]", "154"],["R[5:1]", "2\["1\["/2\[""]]
DKUFVNC200F	2\["]

DKUFV/CP NC – Pneumatisch betätigtes Membranventil PN10 DN 15:65

PTFE

Artikel	product.detail.attribute.[["R"
DKUFVNC012P	1\2\"
DKUFVNC034P	3\4\"
DKUFVNC100P	1\"
DKUFVNC114P	1\1\4\",[["DN","32"],["PN","10"],["B","163"],["B[5:1]","30"],["C","82"],["C[5:1]","24"],["E","72"],["H","188"],["H[5:1]","97"],["L[5:α]","134"],["R[5:1]","2\"]]
DKUFVNC112P	1\1\2\",[["DN","40"],["PN","10"],["B","207"],["B[5:1]","35"],["C","112"],["C[5:1]","24"],["E","79"],["H","208"],["H[5:1]","126"],["L[5:α]","154"],["R[5:1]","2\1\2\"]]
DKUFVNC200P	2\"