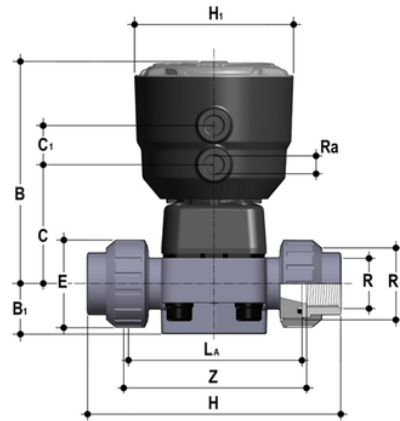


DKBUFC/CP NC – Pneumatisch betätigtes 2-Wege- Membranventil PN6 DN 15:65

Pneumatisch betätigtes Membranventil mit Nippelanschlüssen, zylindrisches Gasgewinde. Funktion normal geschlossen.



Artikel	product.detail.attribute.[["R"
DKBUFCNC012E	1\2"
DKBUFCNC034E	3\4"
DKBUFCNC100E	1"
DKBUFCNC112E	1\1\2",["DN","40"],["PN","6"],["B","193"],["B[5:1]","35"],["C","112"],["C[5:1]","24"],["E","79"],["H","208"],["H[5:1]","126"],["La","154"],["R[5:1]","2\1\2\""]
DKBUFCNC114E	1\1\4",["DN","32"],["PN","6"],["B","149"],["B[5:1]","30"],["C","82"],["C[5:1]","24"],["E","72"],["H","188"],["H[5:1]","97"],["La","134"],["R[5:1]","2\1\2\""]
DKBUFCNC200E	2"