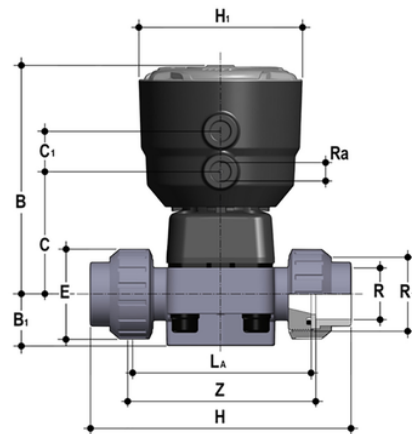


DKBUAC/CP NC - Pneumatisch betätigtes 2-Wege- Membranventil PN6 DN 15:65

Pneumatisch betätigtes Membranventil mit Anschlüssen mit Innengewinde zum Verkleben, Serie ASTM. Funktion normal geschlossen.



Artikel	product.detail.attribute.[["R"
DKBUACNC012E	1\2\
DKBUACNC034E	3\4\
DKBUACNC100E	1\
DKBUACNC112E	1\1\2\,["DN","40"],["PN","6"],["B","193"],["B[5:1]","35"],["C","112"],["C[5:1]","24"],["E","79"],["H","234"],["H[5:1]","126"],["La","154"],["R[5:1]","2\1\2\"]
DKBUACNC114E	1\1\4\,["DN","32"],["PN","6"],["B","149"],["B[5:1]","30"],["C","82"],["C[5:1]","24"],["E","72"],["H","208"],["H[5:1]","97"],["La","134"],["R[5:1]","2\"]
DKBUACNC200E	2\