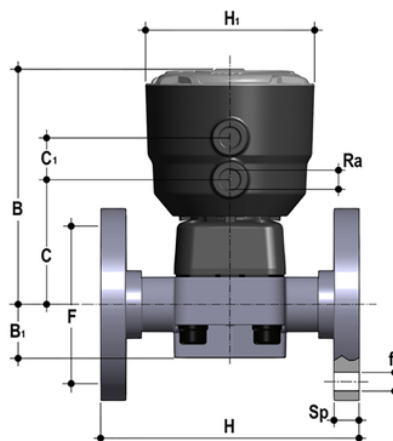


DKBOAV/CP NC - Pneumatisch betätigtes 2-Wege- Membranventil PN6 DN 15:65

Pneumatisch betätigtes Membranventil mit monolithischem Flanschgehäuse, ANSI B16.5 cl. 150 #FF. Funktion normal geschlossen.



Artikel	product.detail.attribute.[["d"]
DKBOAVNC012E	1\2\
DKBOAVNC034E	3\4\
DKBOAVNC100E	1\
DKBOAVNC112E	1\ 1\2\,["DN","40"],["PN","6"],["B","193"],["B[5:1]","35"],["C","112"],["C[5:1]","24"],["F","98,40"],["f","15,7"],["H","180"],["H[5:1]","126"],["Ra","1\4\"]
DKBOAVNC114E	1\ 1\4\,["DN","32"],["PN","6"],["B","149"],["B[5:1]","30"],["C","82"],["C[5:1]","24"],["F","88,90"],["f","15,7"],["H","162"],["H[5:1]","97"],["Ra","1\4\"]
DKBOAVNC200E	2\
DKBOAVNC212E	2\ 1\2\,["DN","65"],["PN","6"],["B","231"],["B[5:1]","46"],["C","142"],["C[5:1]","24"],["F","139,70"],["f","19"],["H","250"],["H[5:1]","157"],["Ra","1\4\"]