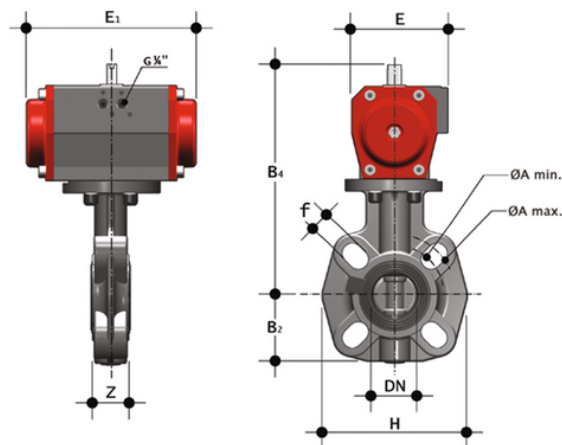


# FEOV/CP NO - Pneumatisch betätigte Absperrklappe DN 40:65

Absperrklappe mit pneumatischem Antrieb, Funktion normal offen.



## EPDM

| Artikel    | d        | DN | product.detail.attribute.PN | product.detail.attribute.B2 | H   | Z  | product.detail.attribute.Amin | product.detail.attribute.Amax |
|------------|----------|----|-----------------------------|-----------------------------|-----|----|-------------------------------|-------------------------------|
| FEOVNO050E | 50-1"1/2 | 40 | 16                          | 60                          | 132 | 33 | 93.5                          | 109                           |
| FEOVNO063E | 63-2"    | 50 | 16                          | 70                          | 147 | 43 | 108                           | 124                           |
| FEOVNO075E | -        | -  | -                           | -                           | -   | -  | -                             | -                             |

## FKM

| Artikel    | d        | DN | product.detail.attribute.PN | product.detail.attribute.B2 | H   | Z  | product.detail.attribute.Amin | product.detail.attribute.Amax |
|------------|----------|----|-----------------------------|-----------------------------|-----|----|-------------------------------|-------------------------------|
| FEOVNO050F | 50-1"1/2 | 40 | 16                          | 60                          | 132 | 33 | 93.5                          | 109                           |
| FEOVNO063F | 63-2"    | 50 | 16                          | 70                          | 147 | 43 | 108                           | 124                           |
| FEOVNO075F | 75-2"1/2 | 65 | 10                          | 80                          | 165 | 46 | 128                           | 144                           |