

PFV_Fig.A

Gewindeverschraubungen.

Endkappe mit Außengewinde (Abb. A).

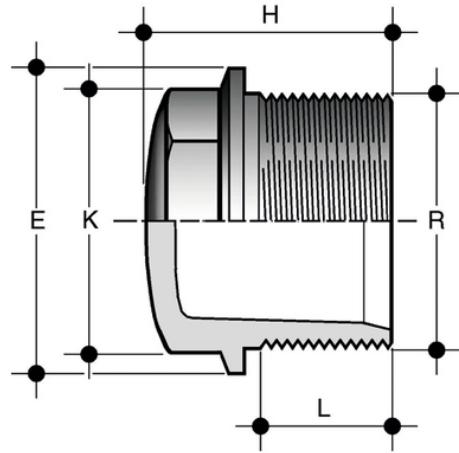


Fig. A

Artikel	product.detail.attribute.[["R"
PFV038	3\8\["]
PFV012	1\2\["]
PFV034	3\4\["]
PFV100	1\["]
PFV114	1\1\4\["PN","16"],["E","52"],["H","38"],["K","44"],["L","21,4"],["g","30"]]
PFV112	1\1\2\["PN","16"],["E","58"],["H","40"],["K","51"],["L","21,4"],["g","46"]]
PFV200	2\["]