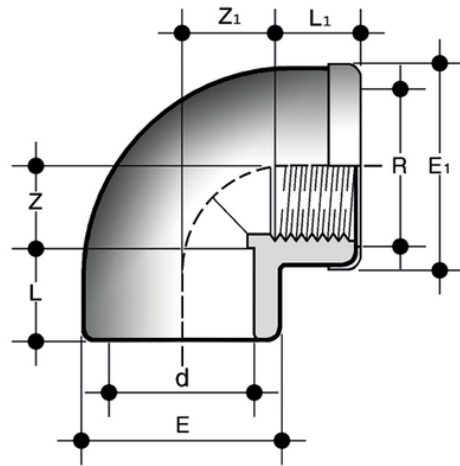


Durchgangsarmaturen.

90°-Bogen mit verstärktem Muffenende d zum Verkleben, R-Innengewindeanschluss mit Edelstahlring.



Artikel	product.detail.attribute.[["d x R"]
GIMV016038	16 x 3\8"
GIMV020012	20 x 1\2"
GIMV025034	25 x 3\4"
GIMV032100	32 x 1"
GIMV040114	40 x 1\1\4",["PN","16"],["E","54"],["E[5:1]","55"],["L","26"],["L[5:1]","21,4"],["Z","22,5"],["Z[5:1]","27"],["g","130"]]
GIMV050112	50 x 1\1\2",["PN","16"],["E","61"],["E[5:1]","62"],["L","31"],["L[5:1]","21,4"],["Z","27"],["Z[5:1]","37"],["g","185"]]
GIMV063200	63 x \2",["PN","16"],["E","76"],["E[5:1]","77"],["L","38"],["L[5:1]","25,7"],["Z","33"],["Z[5:1]","46"],["g","345"]]