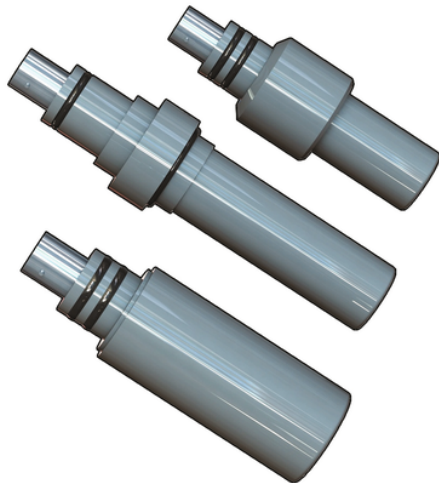


## PH6XX CD

Elektroden mit C-PVC-Körper und flacher Oberfläche.

Kombinierte pH-Elektroden aus C-PVC mit flacher Doppelsperrschicht.



Artikel	product.detail.attribute.Features	product.detail.attribute.Applications/ Operative Range	product.detail.attribute.Cable*	product.detail.attribu
PH650CD	-	-	CN 653 \$ CN653 TC1	Twist-lock (BNC)
PH650CDDA	Signal amplified	Presence of stray currents	CN 653 \$ CN 653 TC1	Twist-lock (BNC)
PH650CDHF	-	Liquids with HF (max 2%)	CN 653 \$ CN 653 TC1	Twist-lock (BNC)
PH650CDLC	-	Liquids with low conductivity (10 [CS:Simbolo:μ]S/cm	CN 653 \$ CN 653 TC1	Twist-lock (BNC)
PH655CD	With pressurized filling gel	-	CN 653	Twist-lock (BNC)
PH655CDHF	-	Liquids with HF (max 2%)	CN 653	Twist-lock (BNC)
PH655CDLC	With pressurized filling gel	Liquids with low conductivity (10 [CS:Simbolo:μ]S/cm	CN 653	Twist-lock (BNC)
PH660CD	-	-	CN 653	Twist-lock (BNC)
PH660CDDA	Signal amplified	Presence of stray currents	CN 653	Twist-lock (BNC)
PH660CDHF	-	Liquids with HF (max 2%)	CN 653	Twist-lock (BNC)
PH660CDLC	-	Liquids with low conductivity (10 [CS:Simbolo:μ]S/cm	CN 653	Twist-lock (BNC)