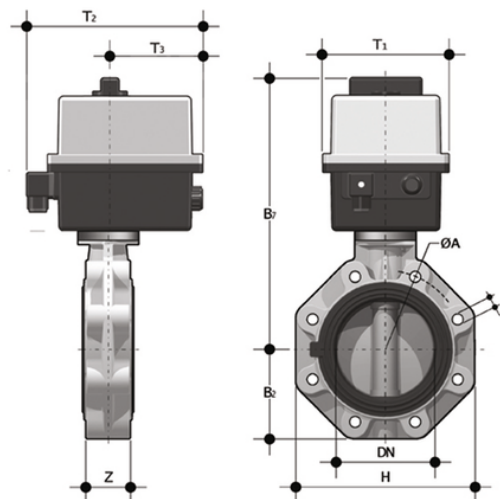


FKOC/CE 90-240V AC LUG ANSI - Elektrisch betätigte Absperrklappe DN 65:100

Absperrklappe LUG Version ANSI 150 mit elektrischem Multivolt-Antrieb 90-240 V AC 50-60 Hz.



EPDM

| Artikel | d | DN | product.detail.attribute.PN | product.detail.attribute.B2 | H | Z | ΦA | product.detail.attribute.f | U | product.detail.attri |
|--------------|-------|-----|-----------------------------|-----------------------------|-----|----|-------|----------------------------|----|----------------------|
| FKOALCEM212E | 2"1/2 | 65 | 10 | 80 | 165 | 46 | 139,7 | 5/8" | 4 | 266 |
| FKOALCEM300E | 3" | 80 | 10 | 93 | 185 | 49 | 152,4 | 5/8" | 12 | 308 |
| FKOALCEM400E | 4" | 100 | 10 | 107 | 211 | 56 | 190,5 | 5/8" | 8 | 322 |

FKM

| Artikel | d | DN | product.detail.attribute.PN | product.detail.attribute.B2 | H | Z | ΦA | product.detail.attribute.f | U | product.detail.attri |
|--------------|-------|-----|-----------------------------|-----------------------------|-----|----|-------|----------------------------|----|----------------------|
| FKOALCEM212F | 2"1/2 | 65 | 10 | 80 | 165 | 46 | 139,7 | 5/8" | 4 | 266 |
| FKOALCEM300F | 3" | 80 | 10 | 93 | 185 | 49 | 152,4 | 5/8" | 12 | 308 |
| FKOALCEM400F | 4" | 100 | 10 | 107 | 211 | 56 | 190,5 | 5/8" | 8 | 322 |