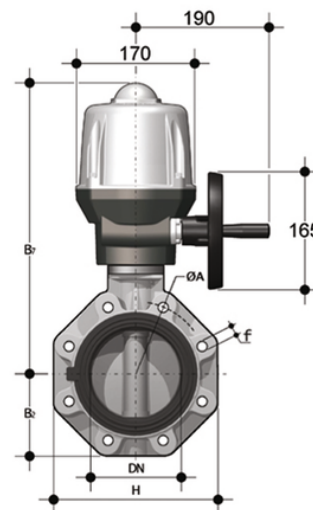
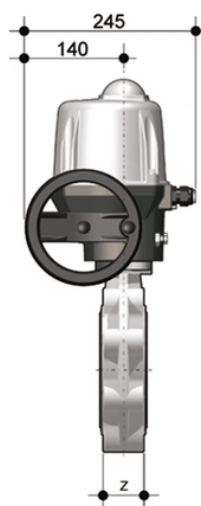


FKOM/CE 90-240V AC LUG ANSI - Elektrisch betätigte Absperrklappe DN 125:200

Absperrklappe LUG Version ANSI 150 mit elektrischem Multivolt-Antrieb 90-240 V AC 50-60 Hz.



EPDM

| Artikel | d | DN | product.detail.attribute.PN | product.detail.attribute.B2 | H | Z | ΦA | product.detail.attribute.f | U | product.detail.attribute |
|--------------|----|-----|-----------------------------|-----------------------------|-----|----|-------|----------------------------|---|--------------------------|
| FKOALMEM500E | 5" | 125 | 10 | 120 | 240 | 64 | 215.9 | 3/4" | 8 | 425 |
| FKOALMEM600E | 6" | 150 | 10 | 134 | 268 | 70 | 241.3 | 3/4" | 8 | 438 |
| FKOALMEM800E | 8" | 200 | 10 | 161 | 323 | 71 | 298,4 | 3/4" | 8 | 485 |

FKM

| Artikel | d | DN | product.detail.attribute.PN | product.detail.attribute.B2 | H | Z | ΦA | product.detail.attribute.f | U | product.detail.attribute |
|--------------|----|-----|-----------------------------|-----------------------------|-----|----|-------|----------------------------|---|--------------------------|
| FKOALMEM500F | 5" | 125 | 10 | 120 | 240 | 64 | 215.9 | 3/4" | 8 | 425 |
| FKOALMEM600F | 6" | 150 | 10 | 134 | 268 | 70 | 241.3 | 3/4" | 8 | 438 |
| FKOALMEM800F | 8" | 200 | 10 | 161 | 323 | 71 | 298,4 | 3/4" | 8 | 485 |