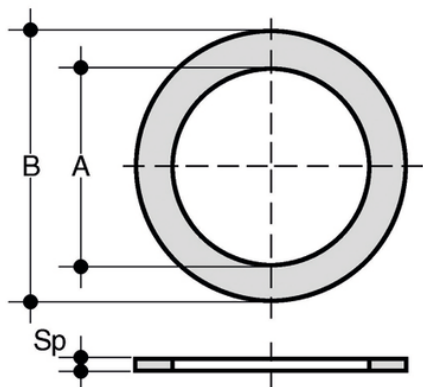


QHV/X - Flat gasket

Flat gasket in EPDM and FKM for flanges according to EN 1092-1.



EPDM

Reference	d	DN	A	B	Sp
QHVX020E	20 - 1/2"	15	20	32	2
QHVX025E	25 - 3/4"	20	24	38,5	2
QHVX032E	32 - 1"	25	32	48	2
QHVX040E	40 - 1" 1/4	32	40	59	2
QHVX050E	50 - 1"1/2	40	50	71	2
QHVX063E	63 - 2"	50	63	88	2
QHVX075E	75 - 2" 1/2	65	75	104	2
QHVX090E	90 - 3"	80	90	123	2
QHVX110E	110 - 4"	100	110	148	3

FKM

Reference	d	DN	A	B	Sp
QHVX020F	20 - 1/2"	15	20	32	2
QHVX025F	25 - 3/4"	20	24	38,5	2
QHVX032F	32 - 1"	25	32	48	2
QHVX040F	40 - 1" 1/4	32	40	59	2
QHVX050F	50 - 1"1/2	40	50	71	2
QHVX063F	63 - 2"	50	63	88	2

All information subject to change.

Please contact us on <https://www.aliaxis.co.uk/get-in-touch> for further informations



QHV/X - Flat gasket

Reference	d	DN	A	B	Sp
QHVX075F	75 - 2" 1/2	65	75	104	2
QHVX090F	90 - 3"	80	90	123	2
QHVX110F	110 - 4"	100	110	148	3

All information subject to change.

Please contact us on <https://www.aliasis.co.uk/get-in-touch> for further informations

