

QRX Exit spacer

Accessories for clapet valves FR series DN32-300

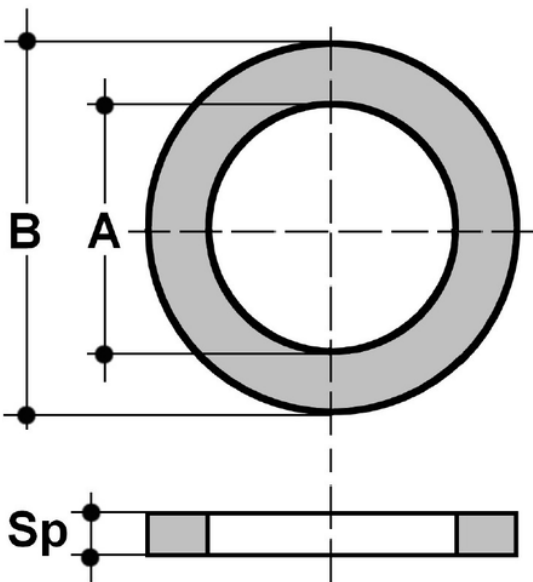
QRX - ISO-DIN exit spacer for wafer check valves FR series.

For the installation of FR valves on PP-H or PVDF piping with socket welding fusion we recommend the use of QRX spacers of the designed material on the outlet side of the valve is advised to allow full opening of the FR.

The spacer needs to be installed between the valve and the QRNM or QRNF stub; the flat side of the spacer needs to be installed on the side of the valve and a flat gasket needs to be installed between the spacer and the stub.

The use on piping with an SDR lower than 17 for dimensions above d63 is not advised (SDR11, d75-110).

It is recommended to remove the welded material after the fusion from the stub to be installed on the outlet side of the valve.



QRX PP-H

Reference	d	DN	A	B	Sp
QRXM040	40	32	41	78	10,5
QRXM050	50	40	49	88	11,5
QRXM063	63	50	62	102	14
QRXM075	75	65	74,5	122	15,5
QRXM090	90	80	88,5	138	16,5
QRXM110	110	100	109	158	17,5

QRX PVDF

All information subject to change.

Please contact us on <https://www.aliasis.co.uk/get-in-touch> for further informations



QRX Exit spacer

Reference	d	DN	A	B	Sp
QRXF040	40	32	41	78	10,5
QRXF050	50	40	49	88	11,5
QRXF063	63	50	62	102	14
QRXF075	75	65	74,5	122	15,5
QRXF090	90	80	88,5	138	16,5
QRXF110	110	100	109	158	17,5

All information subject to change.

Please contact us on <https://www.aliaxis.co.uk/get-in-touch> for further informations

