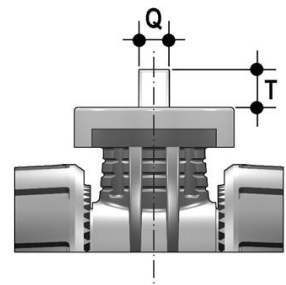
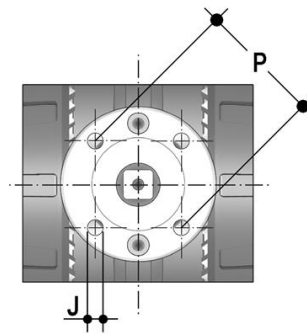
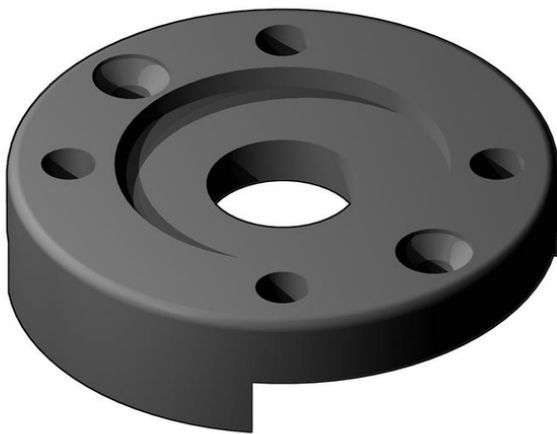


AKVKD - Actuation Kit

Accessories for VKD Dual Block[®] series ball valves DN 65÷100.

Actuation Kit for VKD DN 65÷100 composed by adapter plate, square reduction and bolting.

The valve can be equipped with pneumatic or electric standard actuators and handwheel reduces for heavy-duty operations, using the PP-GR module reproducing the drilling pattern foreseen by ISO 5211 F07.



Reference	DN	P X J	T	Q
AKVKD075110	75 - 90 - 110	F07x9	16 - 16 - 19	14 - 14 - 17

All information subject to change.

Please contact us on <https://www.aliasis.co.uk/get-in-touch> for further informations