

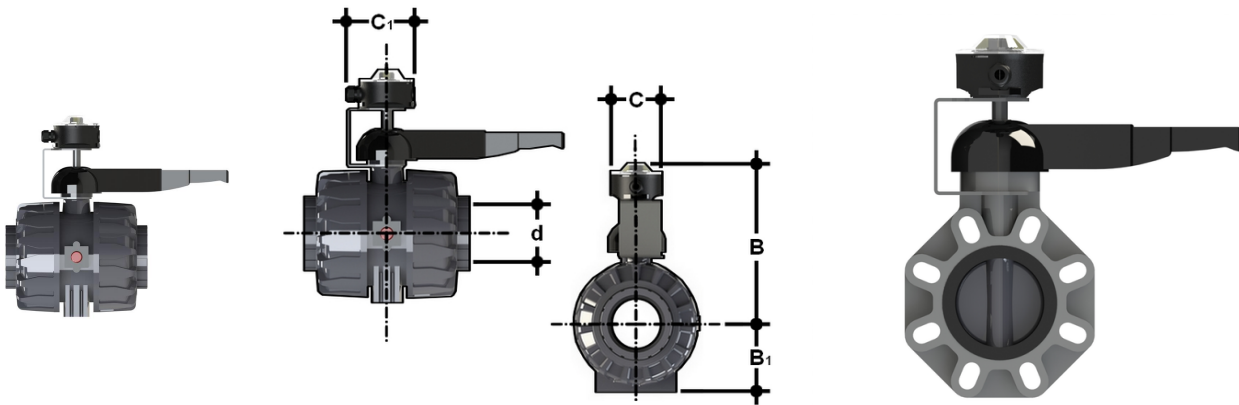
LS Quick Kit DN65-100

Accessories for VKD Dual Block® series ball valves DN 65÷100

The Limit Switch Quick Kit allows the fast and secure installation of the FIP LSQT to the VKD Dualblock valves DN65-100.

This kit can also be installed on FK DN65-150 butterfly valves.

The kit can be assembled on the valve even if already installed on the system.



| Reference | DN | B | B ₁ | C | C ₁ | To be used with: |
|-------------|---------------|---------------------|----------------|-----|----------------|------------------|
| LSQKIT75160 | 65 - 80 - 100 | 275 - 286,7 - 305,5 | 87 - 105 - 129 | 103 | 126,9 | VKD - FK |