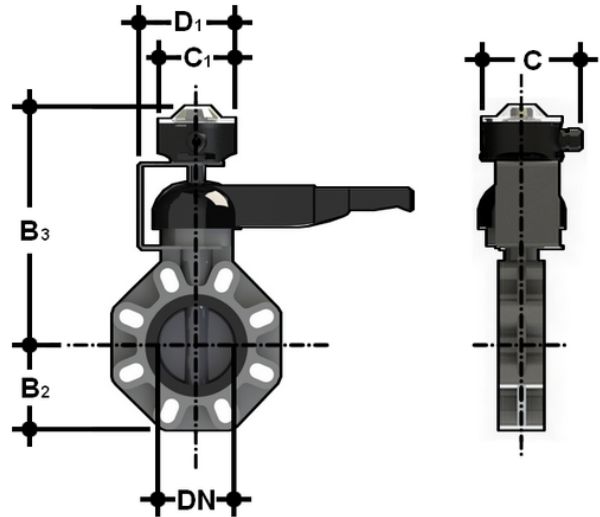


LSQTMEC Electromechanical microswitches box

Accessories for butterfly valves serie FK-LM DN40-200

IP67 box containing two electro-mechanical microswitches and configurable optical indicator



Reference	DN	B ₂	B ₃	C	C ₁	D[5:1]
LSQTMEC	40	60	260,5	126,9	103	123,5
LSQTMEC	50	70	266,5	126,9	103	123,5
LSQTMEC	65	80	273,5	126,9	103	123,5
LSQTMEC	80	93	287,5	126,9	103	123,5
LSQTMEC	100	107	301,5	126,9	103	123,5
LSQTMEC	125	120	321,5	126,9	103	123,5
LSQTMEC	150	134	334,5	126,9	103	123,5
LSQTMEC	200	161	385	126,9	103	129,8

All information subject to change.

Please contact us on <https://www.aliasis.co.uk/get-in-touch> for further informations