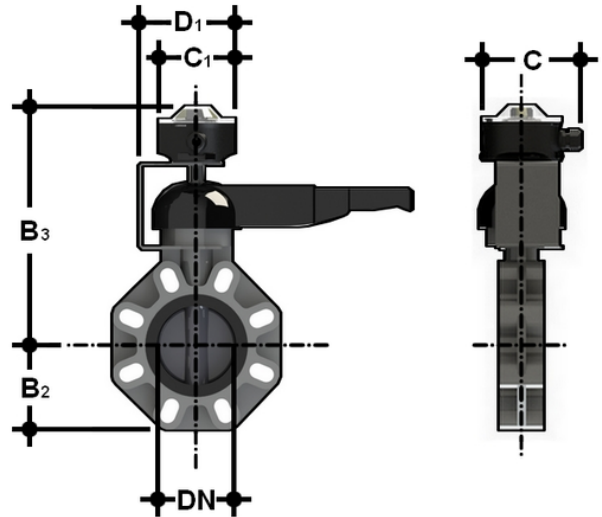


LSQTPNP Inductive PNP microswitches box

Accessories for butterfly valves serie FK-LM DN40-200

Microswitches box IP 68 with two PNP (3 wires) sensors and optical position indicator



Reference	DN	B ₂	B ₃	C	C ₁	D[5:1]
LSQTPNP	40	60	206,5	126,9	103	123,5
LSQTPNP	50	70	266,5	126,9	103	123,5
LSQTPNP	65	80	273,5	126,9	103	123,5
LSQTPNP	80	93	287,5	126,9	103	123,5
LSQTPNP	100	107	301,5	126,9	103	123,5
LSQTPNP	125	120	321,5	126,9	103	123,5
LSQTPNP	150	134	334,5	126,9	103	123,5
LSQTPNP	200	161	385	126,9	103	129,8

All information subject to change.

Please contact us on <https://www.aliasis.co.uk/get-in-touch> for further informations