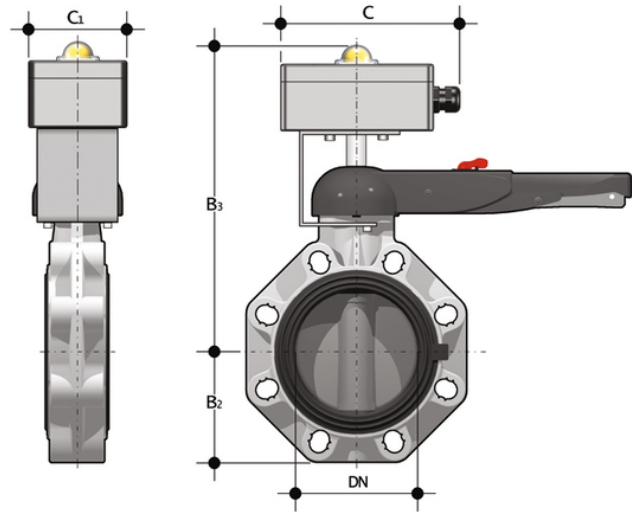


LSQTNAM Inductive Namur microswitches box

Accessories for butterfly valves serie FK-LM DN40-200

Microswitches box IP 67 with two inductive Namur (2 wires) sensors and optical position indicator



Reference	DN	B ₂	B ₃	C	C ₁
LSQTNAM	40	60	248	153	80
LSQTNAM	50	70	254	153	80
LSQTNAM	65	80	261	153	80
LSQTNAM	80	93	275	153	80
LSQTNAM	100	107	289	153	80
LSQTNAM	125	120	309	153	80
LSQTNAM	150	134	322	153	80
LSQTNAM	200	161	369	153	80

All information subject to change.

Please contact us on <https://www.aliasis.co.uk/get-in-touch> for further informations