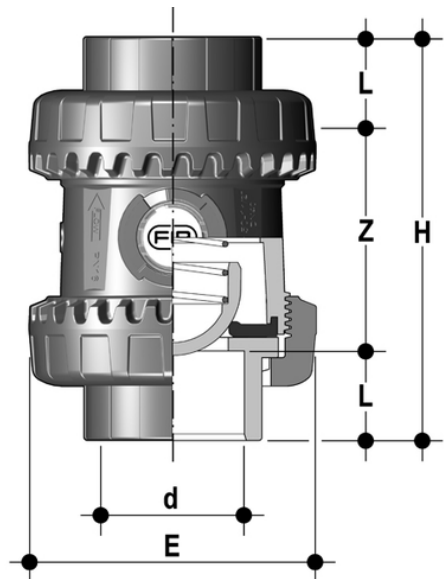


SSEAC/PTFE – Easyfit True Union spring check valve DN 10:50

Easyfit spring check valve with female ends for solvent welding, ASTM series. Spring in A316, PTFE coated.

The SSE Easyfit check valve with spring loaded shutter developed with Giugiaro Design stands out for the innovative installation method that guarantees reliable service over time. This valve is also equipped with a customising Labelling System.

- **Customisable Labelling System: built-in LCE module** on the valve body made up of transparent protection plug and customisable tag holder using the LSE set (available as accessory). The customisation potential **lets you identify the valve on the system** according to specific needs.
- Ideal for horizontal installations: **perfect seal even with low back pressure. Silent** and durable even with strong vibrations and pulsating fluid
- PVC-C shutter and springs available made of STAINLESS steel 316, Hastelloy C276, A316 PTFE encapsulated: maximum reliability in a wide field of applications from salt water to aggressive acids
- Connection system for solvent weld and threaded joints
- Valve material compatibility (PVC-C) **with water conveyance, drinking water and other food substances according to current regulations**
- **PN16 True Union valve body** made for PVC-C injection moulding and European Directive 2014/68/EU (PED) compliant for pressurised equipment. ISO 9393 compliant test requirements
- **Short face to face dimension** according to international regulation ISO 7508 series III "short" and fully interchangeable with VXE DN 10÷50 ball valve models
- Union nuts with rack for tightening adjustment via Easyfit handle or via Easytorque adjustment kit (available as accessories)
- Can be **installed** in either a **vertical** or **horizontal** position



EPDM

Reference	d	DN	PN	E	H	L	Z	g
SSEAC114E0P	1" 1/4	32	16	85	136	32	72	505
SSEAC112E0P	1" 1/2	40	16	100	147	35	77	686

All information subject to change.

Please contact us on <https://www.aliaxis.co.uk/get-in-touch> for further informations



SSEAC/PTFE - Easyfit True Union spring check valve DN 10:50

Reference	d	DN	PN	E	H	L	Z	g
SSEAC200EOP	2"	50	16	118	174	38,2	97,6	1119

FKM

Reference	d	DN	PN	E	H	L	Z	g
SSEAC114FOP	1" 1/4	32	16	85	136	32	72	505
SSEAC112FOP	1" 1/2	40	16	100	147	35	77	686
SSEAC200FOP	2"	50	16	118	174	38,2	97,6	1119

All information subject to change.

Please contact us on <https://www.aliaxis.co.uk/get-in-touch> for further informations

