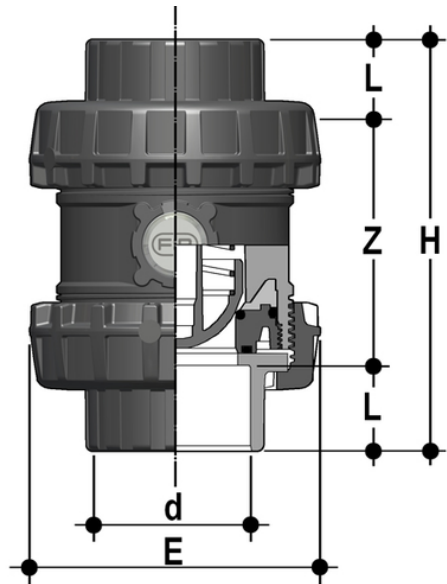


SSEAC/PTFE – Easyfit True Union spring check valve DN 65:100

True Union Check Valve Easyfit with ASTM plain socket ends for solvent welding. Spring in A316, PTFE coated.

The SSE Easyfit check valve with spring loaded shutter developed with Giugiaro Design stands out for the innovative installation method that guarantees reliable service over time. This valve is also equipped with a customising Labelling System.

- **Customisable Labelling System: built-in LCE module** on the valve body made up of transparent protection plug and customisable tag holder using the LSE set (available as accessory). The customisation potential **lets you identify the valve on the system** according to specific needs
- **Locked ball seat carrier** safe dismounting for maintenance with the Easyfit multifunctional handle
- Ideal for **horizontal installations**: perfect seal even with low back pressure. Silent and durable even with strong vibrations and pulsating fluid
- PVC-C shutter and springs available in STAINLESS Steel 316, A316 PTFE encapsulated: maximum reliability in a wide field of applications from salt water to aggressive acids
- Connection system for solvent weld and threaded joints
- Valve material compatibility (PVC-C) **with water conveyance, drinking water and other food substances** according to current regulations
- **PN16 True Union valve body** made for PVC-C injection moulding and European Directive 2014/68/EU (PED) compliant for pressurised equipment. ISO 9393 compliant test requirements
- Easy radial disassembly and fully interchangeable with VXE 65-100 valve models
- Union nut profile that perfectly adapts to the Easyfit multifunctional handle hooked insert (available as an accessory) that lets you control union nut rotation
- Can be **installed** in either a **vertical** or **horizontal** position



EPDM

Reference	d	DN	PN	E	H	L	Z	g
SSEAC212E0P	2" 1/2	65	16	157	211	44,5	122	2654

All information subject to change.

Please contact us on <https://www.aliasis.co.uk/get-in-touch> for further informations



SSEAC/PTFE - Easyfit True Union spring check valve DN 65:100

Reference	d	DN	PN	E	H	L	Z	g
SSEAC300EOP	3"	80	16	174	248	48	152	3321
SSEAC400EOP	4"	100	16	212	283	57,5	168	5870

FKM

Reference	d	DN	PN	E	H	L	Z	g
SSEAC212FOP	2" 1/2	65	16	157	211	44,5	122	2654
SSEAC300FOP	3"	80	16	174	248	48	152	3321
SSEAC400FOP	4"	100	16	212	283	57,5	168	5870

All information subject to change.

Please contact us on <https://www.aliaxis.co.uk/get-in-touch> for further informations

