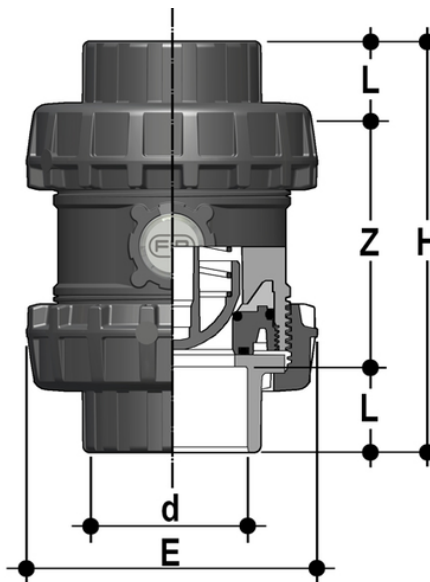


SSEIC/PTFE - Easyfit True Union spring check valve DN 65:100

True Union Check Valve Easyfit with metric plain socket ends for solvent welding. Spring in A316, PTFE coated.



EPDM

Reference	d	DN	PN	E	H	L	Z	g
SSEIC075EOP	75	65	16	157	211	44	123	2652
SSEIC090EOP	90	80	16	174	248	51	146	3365
SSEIC110EOP	110	100	16	212	283	61	161	5898

FKM

Reference	d	DN	PN	E	H	L	Z	g
SSEIC075FOP	75	65	16	157	211	44	123	2652
SSEIC090FOP	90	80	16	174	248	51	146	3365
SSEIC110FOP	110	100	16	212	283	61	161	5898

All information subject to change.

Please contact us on <https://www.aliaxis.co.uk/get-in-touch> for further informations