

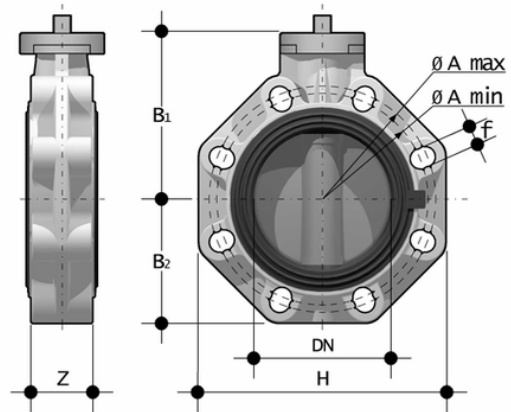
# FKOF/FM /SF – Butterfly valve DN 40:400

Butterfly valve with bare shaft.

The FK is a butterfly valve for shutting off or regulating flow, with structural characteristics that make it ideal for industrial applications requiring high performance and longterm reliability. This valve is also equipped with the customisable Labelling System.

- **Ergonomic handle** in HIPVC equipped with **locking and unlocking device, release, quick operation and graduated adjustment** in 10 intermediate positions (DN 40÷200). The operating range, starting from the first few degrees of valve opening, also guarantees extremely low pressure drops
- **Customisable Labelling System:** integrated module in the handle, made of a transparent protection plug and a customisable tag holder using the LSE set (available as an accessory). The **customisation** lets you **identify the valve on the system** according to specific needs
- **STAINLESS steel square section stem** completely isolated from the fluid complying with standard ISO 5211:
  - DN 40÷65: 11 mm
  - DN 80÷100: 14 mm
  - DN 125÷150: 17 mm
  - DN 200: 22 mm
  - DN 250÷400: 27 mm
- **Body** in polypropylene based **compound reinforced with fibreglass (PP-GR) resistant to UV rays** and characterised by **high mechanical strength**
- **Drilling pattern using oval slots** that allow coupling to flanges according to numerous international standards. The special **self-centring inserts in ABS** supplied for DN 40÷200 guarantee the **correct axial alignment** of the valve during installation. For DN 250÷400 valves, the drilling pattern for the selfcentring system is of the traditional type according to DIN and ANSI standards
- **Interchangeable liner** with the dual function of forming a hydraulic seal and isolating the body from the fluid
- Interchangeable Disk in PVDF with through shaft, available in different thermoplastic materials: PVC-U, PP-H, PVC-C, ABS
- Overall dimensions of the valve in accordance with standard ISO 5752 (DN 40÷200 Medium Series 25, DN 250÷ 300 Long Series 16) and DIN 3202 K2 and ISO 5752 (DN 65÷200 K2, DN 250÷300 K3)
- Can also be installed as an end line valve, bottom discharge valve or tank dump valve
- **Special Lug version** PN 10 fully drilled according to DIN 2501 or ANSI B16.5 cl.150 **with molded-in AISI 316 stainless steel threaded inserts**
- Possibility of installing a manual reducer or pneumatic and/or electric actuators by applying an ISO standard drilling PP-GR flanges. DN 40 ÷ 200 valve equipped with plate with rack in PP-GR. For actuated versions with flange drilled according to ISO 5211 F05, F07, F10. DN 250÷300 valve, fitted with one-piece top flange in high mechanical strength PP-GR with mounting flange for internal components drilled according to standard ISO 5211 F10 (excluding DN 350÷400), F12, F14
- Possibility to have handle with integrated LSQT limit micro switch, even as a retrofit in existing installations

# FKOF/FM /SF – Butterfly valve DN 40:400



Reference	d - Size	DN	PN	A min	A max	øA	B <sub>1</sub>	B <sub>2</sub>	f	H	U	Z	g
FKOFFM050F0SF	50 - 1"1/2	40	16	99	109	-	106	60	19	132	4	33	674
FKOFFM063F0SF	63 - 2"	50	16	115	125,5	-	112	70	19	147	4	43	854
FKOFFM075F0SF	75 - 2"1/2	65	10	128	144	-	119	80	19	165	4	46	1100
FKOFFM090F0SF	90 - 3"	80	10	145	160	-	133	93	19	185	12	49	1550
FKOFFM110F0SF	110 - 4"	100	10	165	190	-	147	107	19	211	8	56	1900
FKOFFM140F0SF	140 - 5"	125	10	204	215	-	167	120	23	240	8	64	2750
FKOFFM160F0SF	160 - 6"	150	10	230	242	-	180	134	23	268	8	70	3550