

# FRC

## FRIAFLEX Stainless steel repair coupling

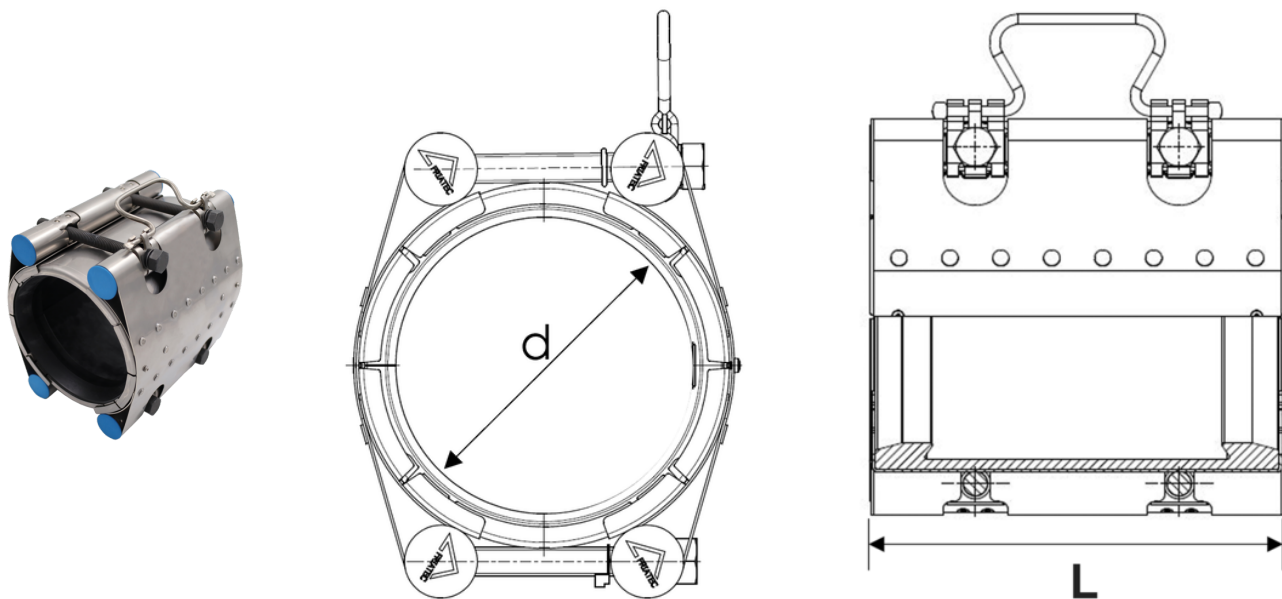
Repair coupling made of stainless steel for use on pipes of different materials (steel, cast iron, ductile iron, asbestos cement, PVC, GRP, PE-HD/PEX) in civil engineering.

- Special gasket design for reliable repair on brittle pipe materials such as cast iron
- Patented gasket design ensures largest diameter range
- Double joint and quick release for easy installation
- Stainless steel housing, lock, screws and nuts
- Gasket material EPDM
- Pressure level PN16
- Bending of the tubes up to 8°
- Temperature range -20 °C to +40 °C

### Note:

When used on PE-HD/PEX pipes, our inner support liner SHVA is required.

Alternatively, we recommend restrained products such as FRIASAFE or FRIAGRIP.



Gasket EPDM, DIN-EN 681-1 / KTW / UBA / DVGW-W270

PFA/PN water maximum = 16 bar

Reference	Diameter	DN	PN	L	SW	Screws (pc. / size)	Weight [kg]	BX	Pallet quantity
591-087-200	87-109	80	16	200	17	M10	4,800	1	24
591-104-200	104-129	100	16	200	17	M10	5,200	1	24
591-158-200	158-184	150	16	200	17	M10	6,900	1	24
591-218-200	218-243	200	16	200	17	M10	8,300	1	24