

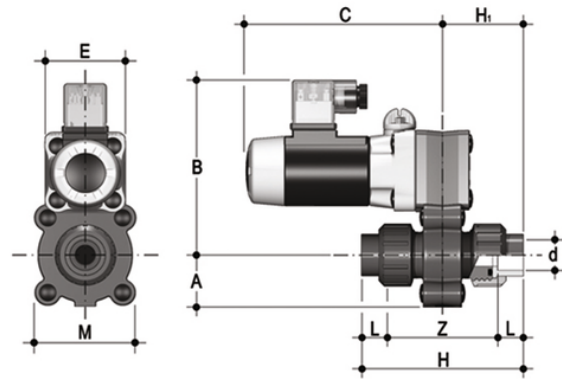
S12IV - 24V DC - true union 2-way solenoid valve

2 way solenoid valve with female union ends for solvent welding.

Function: Normally closed. Power supply: 24V DC

The solenoid valve is the ideal solution for applications requiring many rapid actuation cycles and installations in confined spaces. Thanks to the absence of metal parts in contact with the fluid or the external environment, it can also be used in the presence of aggressive fluids. Ideal for use in fertigation benches.

- Installation flexibility and ease of maintenance: high-performance solenoid electric actuator with internal moving parts designed to exceed 5 million maintenance free operating cycles. Adjustable circular section coil with IP65 protection class.
- DIN 43650 electrical connector supplied as standard: includes LED indicator light and rectifier (in the case of an AC coil).
- Lever shutter in EPDM or FKM and lever in stainless steel.
- Suitable for use with aggressive fluids: no metal component in contact with the fluid or the external environment; all the screws are covered by PE protection plugs.
- Emergency override
- 2-Way PVC-U body
- Installation flexibility and ease of maintenance: high-performance solenoid electric actuator designed to exceed 5 million maintenance-free operating cycles
- Adjustable circular section coil with IP65 protection class.
- Integrated override with the possibility of being installed in 3 different positions.
- Lever shutter in EPDM or FKM and lever in stainless steel.
- DIN 43650 electrical connector supplied as standard: includes LED indicator light and rectifier (in the case of an AC coil).



EPDM

Reference	d	DN	A	B	C	H	H1	L	Z	E	M	g
S12IV0410E024C	10	4	24	100	103	84	42	12	60	42	52	400

All information subject to change.

Please contact us on <https://www.aliaxis.co.uk/get-in-touch> for further informations



S12IV - 24V DC - true union 2-way solenoid valve

Reference	d	DN	A	B	C	H	H1	L	Z	E	M	g
S12IV0412E024C	12	4	24	100	103	84	42	12	60	42	52	400
S12IV0416E024C	16	4	24	100	103	88	44	14	60	42	52	400
S12IV0610E024C	10	24	100	103	84	42	12	60	42	52	400	
S12IV0612E024C	12	24	100	103	84	42	12	60	42	52	400	
S12IV0616E024C	16	6	24	100	103	88	44	14	60	42	52	400
S12IV0810E024C	10	8	24	100	103	84	42	12	60	42	52	400
S12IV0812E024C	12	8	24	100	103	84	42	12	60	42	52	400
S12IV0816E024C	16	8	24	100	103	88	44	14	60	42	52	400

S12IV - 24V DC - true union 2-way solenoid valve

Reference	d	DN	A	B	C	H	H1	L	Z	E	M	g
S12IV0410F024C	10	4	24	100	103	84	42	12	60	42	52	400
S12IV0412F024C	12	4	24	100	103	84	42	12	60	42	52	400
S12IV0416F024C	16	4	24	100	103	88	44	14	60	42	52	400
S12IV0610F024C	10	6	24	100	103	84	42	12	60	42	52	400
S12IV0612F024C	12	6	24	100	103	84	42	12	60	42	52	400
S12IV0616F024C	16	6	24	100	103	88	44	14	60	42	52	400
S12IV0810F024C	10	8	24	100	103	84	42	12	60	42	52	400
S12IV0812F024C	12	8	24	100	103	84	42	12	60	42	52	400
S12IV0816F024C	16	8	24	100	103	88	44	14	60	42	52	400

All information subject to change.

Please contact us on <https://www.aliasis.co.uk/get-in-touch> for further informations

