

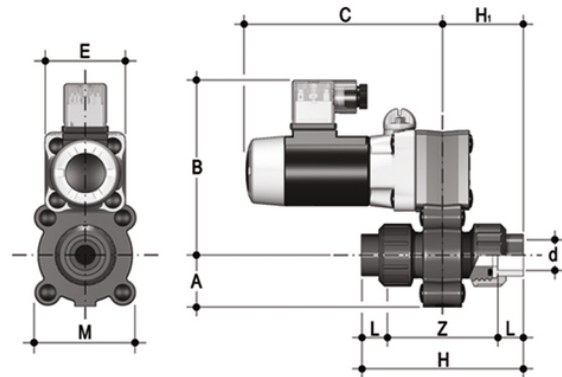
# S12AV - 24V AC - true union 2-way solenoid valve

2 way solenoid valve with ASTM female union ends for solvent welding.

Function: Normally closed. Power supply: 24V AC

The solenoid valve is the ideal solution for applications requiring many rapid actuation cycles and installations in confined spaces. Thanks to the absence of metal parts in contact with the fluid or the external environment, it can also be used in the presence of aggressive fluids. Ideal for use in fertigation benches.

- Installation flexibility and ease of maintenance: high-performance solenoid electric actuator with internal moving parts designed to exceed 5 million maintenance free operating cycles. Adjustable circular section coil with IP65 protection class.
- DIN 43650 electrical connector supplied as standard: includes LED indicator light and rectifier (in the case of an AC coil).
- Lever shutter in EPDM or FKM and lever in stainless steel.
- Suitable for use with aggressive fluids: no metal component in contact with the fluid or the external environment; all the screws are covered by PE protection plugs.
- Emergency override
- 2-Way PVC-U body
- Installation flexibility and ease of maintenance: high-performance solenoid electric actuator designed to exceed 5 million maintenance-free operating cycles
- Adjustable circular section coil with IP65 protection class.
- Integrated override with the possibility of being installed in 3 different positions.
- Lever shutter in EPDM or FKM and lever in stainless steel.
- DIN 43650 electrical connector supplied as standard: includes LED indicator light and rectifier (in the case of an AC coil).



## EPDM

Reference	d	DN	A	B	C	H	H1	L	Z	E	M	g
S12AV0414E024A	1/4"	4	24	100	103	92	46	16	60	42	52	400

All information subject to change.

Please contact us on <https://www.aliaxis.co.uk/get-in-touch> for further informations

## S12AV - 24V AC - true union 2-way solenoid valve

Reference	d	DN	A	B	C	H	H1	L	Z	E	M	g
S12AV0438E024A	3/8"	4	24	100	103	98	49	19	60	42	52	400
S12AV0614E024A	1/4"	6	24	100	103	92	46	16	60	42	52	400
S12AV0638E024A	3/8"	6	24	100	103	98	49	19	60	42	52	400
S12AV0814E024A	1/4"	8	24	100	103	92	46	16	60	42	52	400
S12AV0838E024A	3/8"	8	24	100	103	98	49	19	60	42	52	400

### S12AV - 24V AC - true union 2-way solenoid valve

Reference	d	DN	A	B	C	H	H1	L	Z	E	M	g
S12AV0414F024A	1/4"	4	24	100	103	92	46	16	60	42	52	400
S12AV0438F024A	3/8"	4	24	100	103	98	49	19	60	42	52	400
S12AV0614F024A	1/4"	6	24	100	103	92	46	16	60	42	52	400
S12AV0638F024A	3/8"	6	24	100	103	98	49	19	60	42	52	400
S12AV0814F024A	1/4"	8	24	100	103	92	46	16	60	42	52	400
S12AV0838F024A	12	8	24	100	103	84	42	12	60	42	52	400