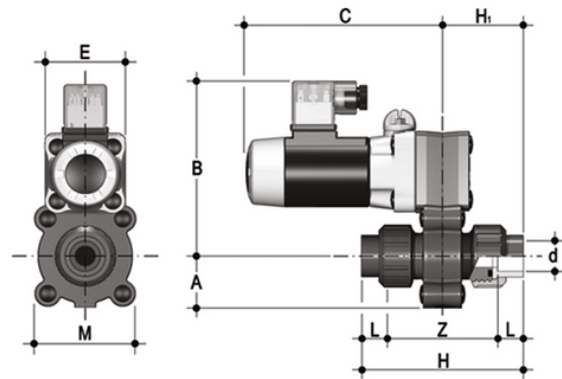


# S12LV - 24V DC - true union 2-way solenoid valve

2 way solenoid valve with BS female union ends for solvent welding.

Function: Normally closed. Power supply: 24V DC



## EPDM

Reference	d	DN	A	B	C	H	H1	L	Z	E	M	g
S12LV0438E024C	3/8"	4	24	100	103	88	44	14	60	42	52	400
S12LV0638E024C	3/8"	6	24	100	103	88	44	14	60	42	52	400
S12LV0838E024C	3/8"	8	24	100	103	88	44	14	60	42	52	400

## S12LV - 24V DC - true union 2-way solenoid valve

Reference	d	DN	A	B	C	H	H1	L	Z	E	M	g
S12LV0438F024C	3/8"	4	24	100	103	88	44	14	60	42	52	400
S12LV0638F024C	3/8"	6	24	100	103	88	44	14	60	42	52	400
S12LV0838F024C	3/8"	8	24	100	103	88	44	14	60	42	52	400

All information subject to change.

Please contact us on <https://www.aliaxis.co.uk/get-in-touch> for further informations