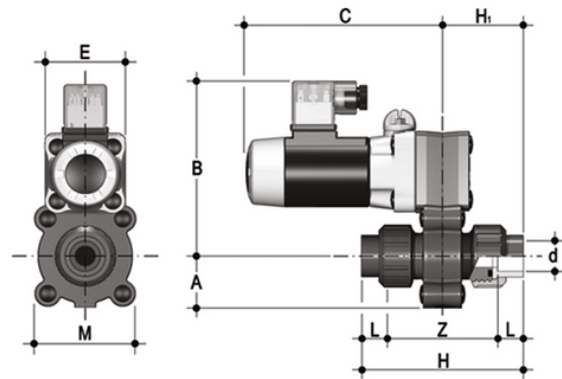


S22IV - 230V AC - true union 2-way solenoid valve

2 way solenoid valve with female union ends for solvent welding.

Function: Normally closed. Power supply: 230V AC



EPDM

Reference	d	DN	A	B	C	H	H1	L	Z	E	M	g
S22IV0816E230A	16	8	34	115	130	99	50	14	71	54	67	1000
S22IV0820E230A	20	8	34	115	130	103	52	16	71	54	67	1000
S22IV1016E230A	16	10	34	115	130	99	50	14	71	54	67	1000
S22IV1020E230A	20	10	34	115	130	103	52	16	71	54	67	1000
S22IV1516E230A	16	15	34	115	130	99	50	14	71	54	67	1000
S22IV1520E230A	20	15	34	115	130	103	52	16	71	54	67	1000

S22IV - 230V AC - true union 2-way solenoid valve

Reference	d	DN	A	B	C	H	H1	L	Z	E	M	g
S22IV0816F230A	16	8	34	115	130	99	50	14	71	54	67	1000
S22IV0820F230A	20	8	34	115	130	103	52	16	71	54	67	1000
S22IV1016F230A	16	10	34	115	130	99	50	14	71	54	67	1000
S22IV1020F230A	20	10	34	115	130	103	52	16	71	54	67	1000
S22IV1516F230A	16	15	34	115	130	99	50	14	71	54	67	1000
S22IV1520F230A	20	15	34	115	130	103	52	16	71	54	67	1000

All information subject to change.

Please contact us on <https://www.aliaxis.co.uk/get-in-touch> for further informations