

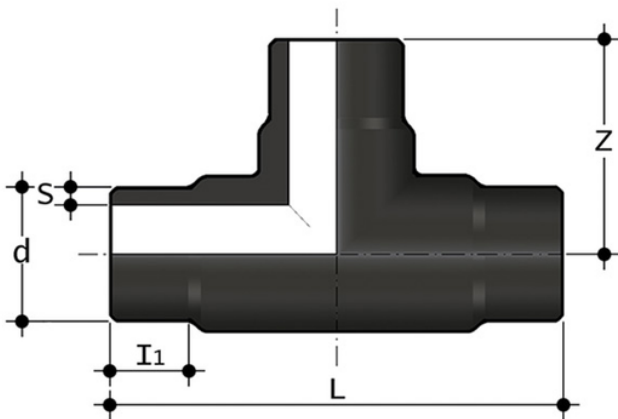
# PE 11.94.511

## Bend 90°, PE 100, SDR 11, short

- molded
- for heating element butt welding and IR welding
- GKE with 8 45° auxiliary markings for precise installation
- Continuous wall thickness
- R approx. 1 x de

Series of short and long fittings designed for conveying fluids under pressure for butt welding and electrofusion applications.

- Size range: d 12 ÷ d 800 (mm)
- Nominal pressure: SDR 17 (PN10) with water at 20 °C, SDR 11 (PN16) with water at 20 °C
- Temperature range: -40 °C ÷ 60 °C
- Coupling standards - Reference standards:
  - Welding: EN ISO 15494. Can be coupled to pipes according to EN ISO 15494
  - Flanging system: ISO 7005-1, EN 1092-1, EN ISO 15494, ANSI B16.5 cl.150
  - Construction criteria: UNI EN ISO 15494
  - Test methods and requirements: UNI EN ISO 15494
  - Installation criteria: DVS 2202-1, DVS 2207-1, UNI EN 12201- 3, UNI 10520, ISO 21307, UNI 10521, UNI EN 1555-3, ISO 4427- 3, ISO 4437-3
- Fitting material: PE-HD
- Seal material: EPDM, FKM



| Reference | d   | L   | Z   | h  | S   | g   |
|-----------|-----|-----|-----|----|-----|-----|
| TBE17050  | *50 | 100 | 50  | 13 | 3,0 | 86  |
| TBE17063  | 63  | 156 | 78  | 29 | 3,8 | 182 |
| TBE17075  | 75  | 180 | 90  | 33 | 4,5 | 310 |
| TBE17090  | 90  | 200 | 100 | 23 | 5,4 | 513 |
| TBE17110  | 110 | 240 | 120 | 43 | 6,6 | 840 |

All information subject to change.

Please contact us on <https://www.aliaxis.co.uk/get-in-touch> for further informations

# PE 11.94.511

## Bend 90°, PE 100, SDR 11, short

| Reference | d    | L   | Z   | h   | S    | g      |
|-----------|------|-----|-----|-----|------|--------|
| TBE17125  | 125  | 250 | 125 | 26  | 7,4  | 1170   |
| TBE17140  | 140  | 280 | 140 | 32  | 8,3  | 1635   |
| TBE17160  | 160  | 350 | 160 | 40  | 9,5  | 2402   |
| TBE17180  | 180  | 390 | 195 | 73  | 10,7 | 3503   |
| TBE17225  | 225  | 490 | 245 | 72  | 13,4 | 7417   |
| TBE17250  | *250 | 450 | 225 | 67  | 14,8 | 7670   |
| TBE17280  | *280 | 528 | 264 | 86  | 16,6 | 10,900 |
| TBE17315  | *315 | 565 | 282 | 87  | 18,7 | 14,900 |
| TBE17355  | *355 | 699 | 348 | 103 | 21,1 | 23640  |
| TBE17400  | *400 | 722 | 361 | 105 | 23,7 | 28500  |
| TBE17450  | *450 | 838 | 419 | 137 | 26,7 | 47500  |
| TBE17500  | *500 | 940 | 471 | 163 | 29,7 | 53500  |

All information subject to change.

Please contact us on <https://www.aliaxis.co.uk/get-in-touch> for further informations