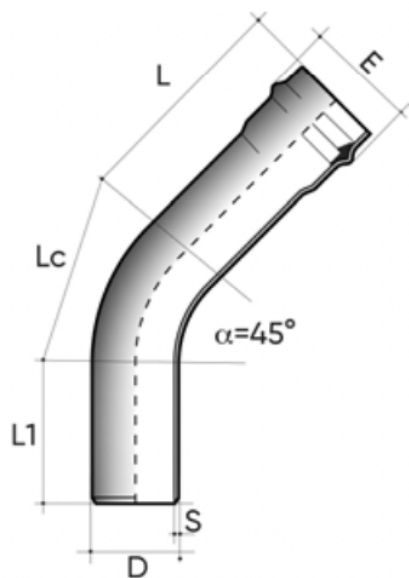


POWER-LOCK bend 45° M/F PN16

Bend PVC-U, M/F, Grey RAL 7011, FORSHEDA 601 POWER-LOCK® connection.

The fittings comply with UNI EN ISO 1452, DIN 8063, ISO 2045, ISO/DIS 6455 standards for the transport of pressurised fluids for the supply of drinking water, wastewater and food fluids: oil, wine, milk.



Reference	D (mm)	E (mm)	L (mm)	Lc (mm)	L1 (mm)	Weight (gr)
PBVPN16063F4L	63	86	350	280	270	1180
PBVPN16075F4L	75	102	280	280	355	1690
PBVPN16090F4L	90	120	320	340	300	2630
PBVPN16110F4L	110	144	315	295	300	2930
PBVPN16125F4L	125	161	350	340	285	4110
PBVPN16140F4L	140	178	330	375	315	5610
PBVPN16160F4L	160	202	330	435	345	7800
PBVPN16180S4L	180*	224	460	330	410	10670
PBVPN16200F4L	200	238	470	330	400	13710
PBVPN16225F4L	225	276	490	510	420	20160
PBVPN16250F4L	250	305	510	520	370	24700
PBVPN16280F4L	280	341	480	590	430	33070
PBVPN16315F4L	315	382	540	510	450	41880
PBVPN16400F4L	400	465	610	880	510	85590

All information subject to change.

Please contact us on <https://www.aliasis.co.uk/get-in-touch> for further informations