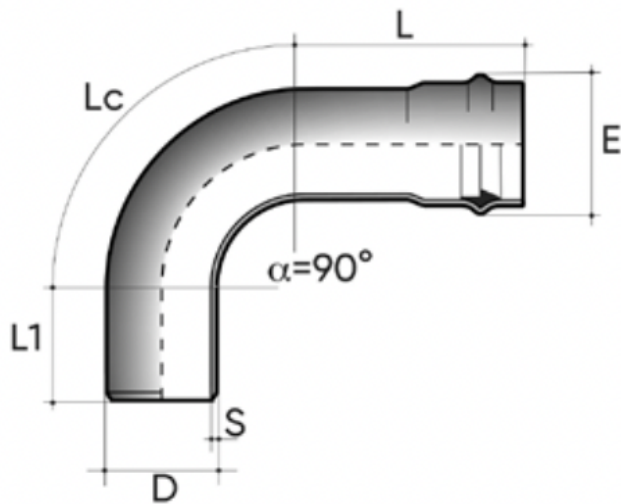


POWER-LOCK bend 90° M/F PN10

Bend PVC-U, M/F, Grey RAL 7011, FORSHEDA 601 POWER-LOCK® connection.



Reference	D (mm)	E (mm)	L (mm)	Lc (mm)	L1 (mm)	Weight (gr)
PBVPN10063F9L	63	86	265	350	255	790
PBVPN10075F9L	75	102	255	410	245	1120
PBVPN10090F9L	90	120	285	480	275	1850
PBVPN10110F9L	110	144	325	560	365	2590
PBVPN10125F9L	125	161	320	685	260	3360
PBVPN10140F9L	140	178	325	770	325	4810
PBVPN10160F9L	160	202	360	880	230	6440
PBVPN10180S9L	180*	224	490	780	440	9430
PBVPN10200F9L	200	238	450	1460	270	15340
PBVPN10225F9L	225	276	520	1710	380	2390
PBVPN10250F9L	250	276	580	1720	390	28400
PBVPN10280F9L	280	341	700	1939	480	42480
PBVPN10315F9L	315	382	610	2240	450	57480

All information subject to change.

Please contact us on <https://www.aliasis.co.uk/get-in-touch> for further informations