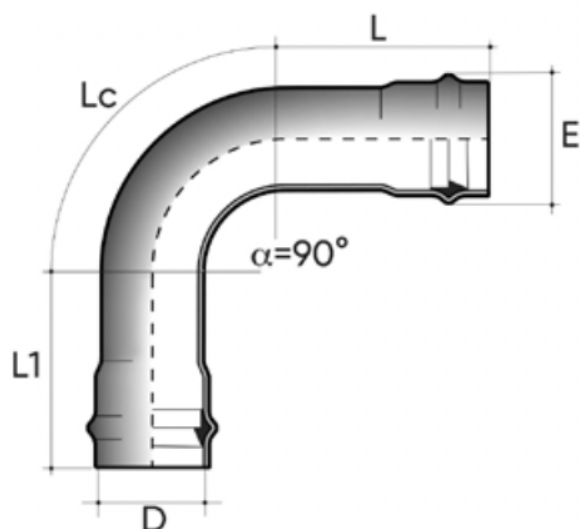


## POWER-LOCK bend 45° F/F PN10

Bend PVC-U, F/F, Grey RAL 7011, FORSHEDA 601 POWER-LOCK® connection.

The fittings comply with UNI EN ISO 1452, DIN 8063, ISO 2045, ISO/DIS 6455 standards for the transport of pressurised fluids for the supply of drinking water, wastewater and food fluids: oil, wine, milk.



Reference	D (mm)	E (mm)	L (mm)	Lc (mm)	L1 (mm)	Weight (gr)
PBVPN10063FF4L	63	86	355	280	315	820
PBVPN10075FF4L	75	102	330	280	305	1130
PBVPN10090FF4L	90	120	300	340	330	1710
PBVPN10110FF4L	110	144	320	295	315	1980
PBVPN10125FF4L	125	161	330	340	360	2855
PBVPN10140FF4L	140	178	335	375	360	3730
PBVPN10160FF4L	160	202	340	435	380	5270
PBVPN10180SS4L	180*	224	540	680	540	9430
PBVPN10200FF4L	200	238	550	680	540	11700
PBVPN10225FF4L	225	276	505	840	505	14680
PBVPN10250FF4L	250	305	580	840	580	21000
PBVPN10280FF4L	280	341	565	870	565	23370
PBVPN10315FF4L	315	382	615	870	615	29650
PBVPN10400FF4L	400	465	810	1070	810	63340

All information subject to change.

Please contact us on <https://www.aliasis.co.uk/get-in-touch> for further informations