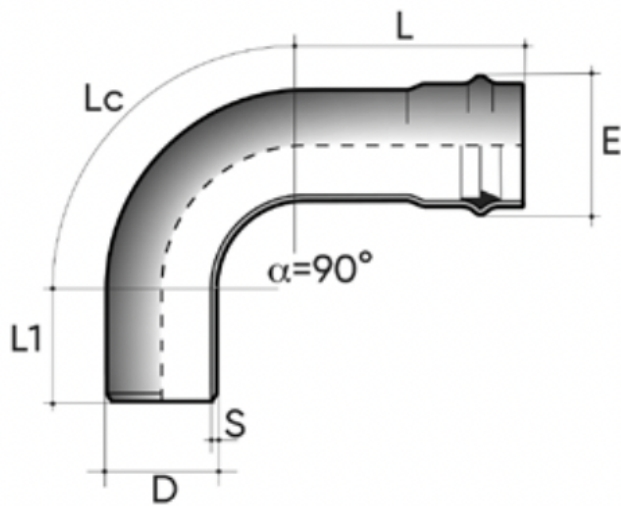


POWER-LOCK bend 90° F/F PN10

Bend PVC-U, F/F, Grey RAL 7011, FORSHEDA 601 POWER-LOCK® connection.

The fittings comply with UNI EN ISO 1452, DIN 8063, ISO 2045, ISO/DIS 6455 standards for the transport of pressurised fluids for the supply of drinking water, wastewater and food fluids: oil, wine, milk.



Reference	D (mm)	E (mm)	L (mm)	Lc (mm)	L1 (mm)	Weight (gr)
PBVPN10063F1L	63	86	270	350	270	770
PBVPN10075F1L	75	102	260	410	265	1130
PBVPN10090F1L	90	120	280	480	290	1820
PBVPN10110F1L	110	144	335	560	335	2590
PBVPN10125F1L	125	161	320	685	320	3480
PBVPN10140F1L	140	178	360	770	330	5060
PBVPN10160F1L	160	202	335	880	315	6720
PBVPN10180SS9L	180*	224	560	780	590	10900
PBVPN10200F1L	200	238	560	1460	570	17890
PBVPN10225F1L	225	276	660	1710	650	26600
PBVPN10250F1L	250	305	660	1720	650	32940
PBVPN10280F1L	280	341	745	1930	745	48150
PBVPN10315F1L	315	382	680	2240	650	61080

All information subject to change.

Please contact us on <https://www.aliasis.co.uk/get-in-touch> for further informations