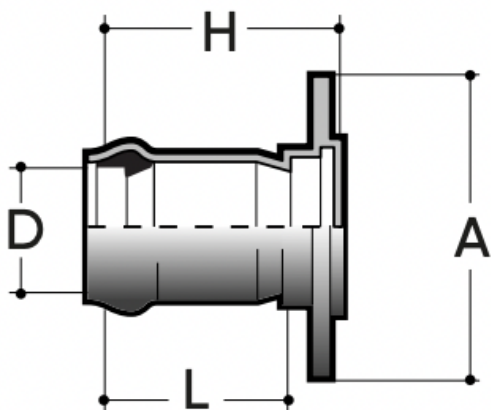


Single-joint Flanged PN10

Single-joint Flanged PVC-U, M/F, Grey RAL 7011, FORSHEDA 601 POWER-LOCK[®] connection.

The fittings comply with UNI EN ISO 1452, DIN 8063, ISO 2045, ISO/DIS 6455 standards for the transport of pressurised fluids for the supply of drinking water, wastewater and food fluids: oil, wine, milk.



Reference	D x dn (mm)	Ø H x n. holes (mm)	L (mm)	H (mm)	Weight (gr)
TPVP08315300FBL	315x300**	400x12	230	480	15362
TPVP10063050FBL	65x50	125x4	120	225	572
TPVP10075065FBL	75x65	145x4	120	230	769
TPVP10090080FBL	90x80	160x8	120	240	1092
TPVP10110100FBL	110x100	180x8	130	250	1449
TPVP10125110FBL	125x110	210x8	140	275	1846
TPVP10140125FBL	140x125	210x8	160	295	2409
TPVP10160150FBL	160x150	240x8	160	310	3000
TPVP10180180SBL	180x180*	270x8	180	350	5035
TPVP10200200FBL	200x200	295x8	200	370	5200
TPVP10225200FBL	225x200	295x8	210	390	6300
TPVP10250250FBL	250x250	350x12	220	410	8500
TPVP10280250FBL	280x250	350x12	230	430	12864

All information subject to change.

Please contact us on <https://www.aliasis.co.uk/get-in-touch> for further informations