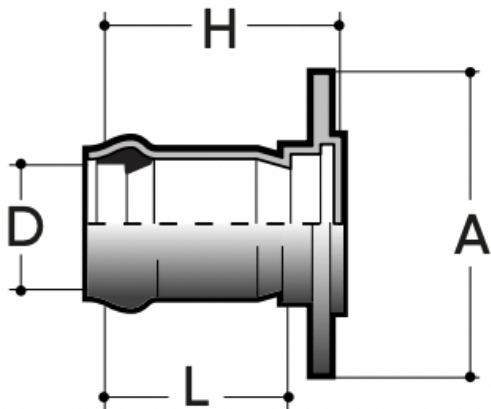


Single-joint Flanged PN16

Single-joint Flanged PVC-U, M/F, Grey RAL 7011, FORSHEDA 601 POWER-LOCK[®] connection.

The fittings comply with UNI EN ISO 1452, DIN 8063, ISO 2045, ISO/DIS 6455 standards for the transport of pressurised fluids for the supply of drinking water, wastewater and food fluids: oil, wine, milk.



Reference	D x dn (mm)	Ø H x n. holes (mm)	L (mm)	H (mm)	Weight (gr)
TPVP16063050FBL	65x50	125x4	120	225	653
TPVP16075065FBL	75x65	145x4	120	230	893
TPVP16090080FBL	90x80	160x8	120	240	1333
TPVP16110100FBL	110x100	180x8	130	250	1533
TPVP16125110FBL	125x110	210x8	140	275	2257
TPVP16140125FBL	140x125	210x8	160	295	3013
TPVP16160150FBL	160x150	240x8	160	310	3600

All information subject to change.

Please contact us on <https://www.aliasis.co.uk/get-in-touch> for further informations