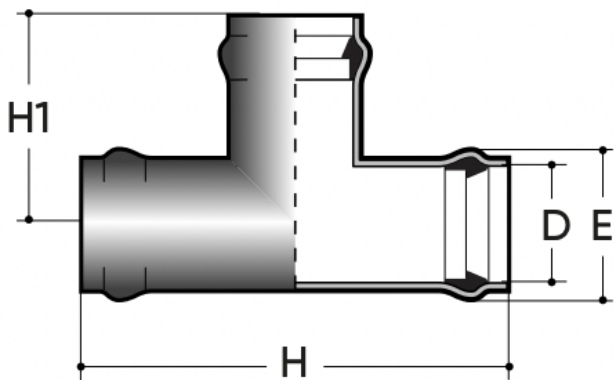


Tee at 90° F/F PN16

90° bypass PVC-U, F/F, Grey RAL 7011, Rubber ring connection, FORSHEDA 601 POWER-LOCK® on request.

The fittings comply with UNI EN ISO 1452, DIN 8063, ISO 2045, ISO/DIS 6455 standards for the transport of pressurised fluids for the supply of drinking water, wastewater and food fluids: oil, wine, milk.



Reference	D x D1 (mm)	E (mm)	H (mm)	H1 (mm)	Weight (gr)
T9VP16063SSL	*63	92	274	137	1014
T9VP16075SSL	75	107	300	150	1482
T9VP16090SSL	90	126	330	165	2269
T9VP16110SSL	110	151	370	185	3569
T9VP16125SSL	125	169	400	200	4810
T9VP16140SSL	140	178	650	325	9672
T9VP16160SSL	160	213	462	231	8886